

1

2

3

4

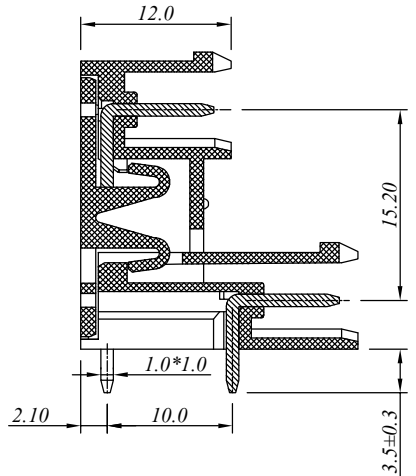
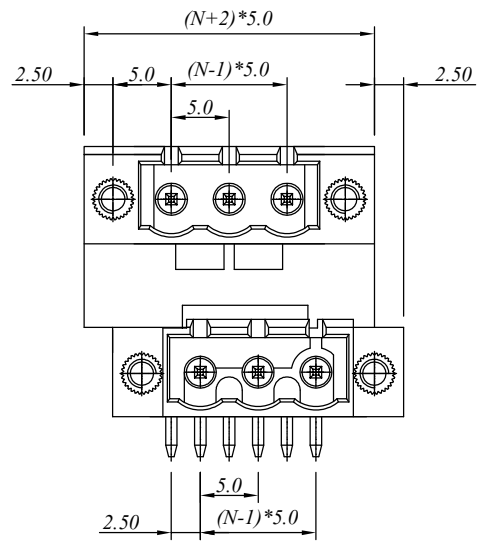
5

6

7

SIGN	DATE	DESCRIPTION	APPROVER
△			
△			
△			

P.C.B. LAYOUT



材质于电镀/Material

塑件/Insulator body:
焊针/Pin header:

PA66, UL94V-0
Brass ,Tin planted

电器性能/Electrical

参考标准/Standard:
额定电压/Rated voltage:
额定电流/Rated current:
接触电阻/Contact resistance:
绝缘电阻/Insulation resistance:
耐电压/Withstanding voltage:

UL IEC
300V 320V
15A 20A
20m Ω (max)
500M Ω /500V
AC 2000V/1Min

机械性能/Mechanical

温度范围/Temperature range:
瞬间温度/Max soldering:

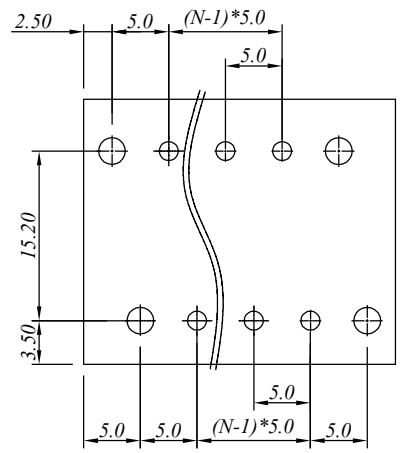
-40°C to +105°C
+250°C, for 5 Sec

尺寸/Dimensions

间距/Pitch:
极数/Poles:

5.0mm
2-24P

N=Number of contacts



慈溪万海电子有限公司
CIXI WANHAI ELECTRONICS CO., LTD.

PART. NAME: 2EDGRTM-5.00-XXP				TITLE:	
PART. NO.:				DWG NAME:	
APPROVED BY	CHECKED BY	DESIGNED BY	DRAWN BY	CUSTOM NO.:	Tolerance x. ±0.50 x.x ±0.30 x.xx ±0.10 xx° ±1°
				UNITS: mm SCALE: 4/1 REVISIONB2	

1

2

3

4

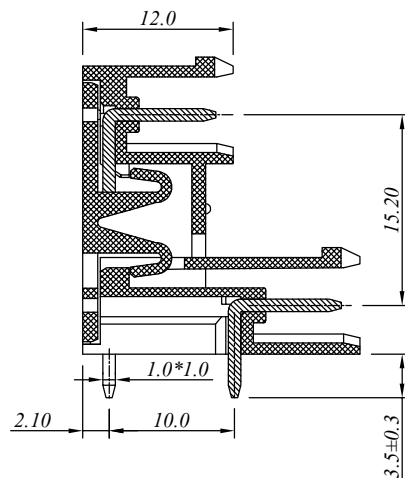
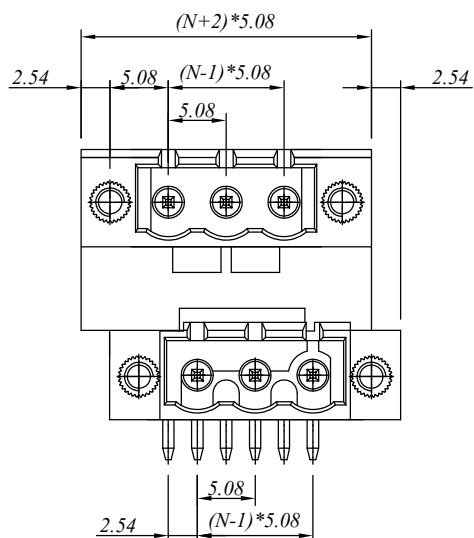
5

6

7

SIGN	DATE	DESCRIPTION	APPROVER
△			
△			
△			

P.C.B. LAYOUT



材质于电镀/*Material*

塑件/*Insulator body:*

焊针/*Pin header:*

PA66, UL94V-0

Brass ,Tin planted

电器性能/*Electrical*

参考标准/*Standard:*

额定电压/*Rated voltage:*

额定电流/*Rated current:*

接触电阻/*Contact resistance:*

绝缘电阻/*Insulation resistance:*

耐电压/*Withstanding voltage:*

UL IEC

300V 320V

15A 20A

20m Ω (max)

500M Ω /500V

AC 2000V/1Min

机械性能/*Mechanical*

温度范围/*Temperature range:*

瞬间温度/*Max soldering:*

-40°C to +105°C

+250°C, for 5 Sec

尺寸/*Dimensions*

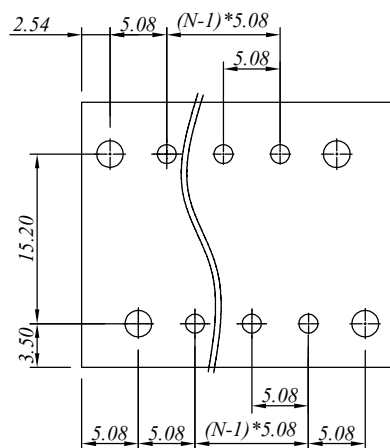
间距/*Pitch:*

极数/*Poles:*

5.08mm

2-24P

N=Number of contacts



慈溪万海电子有限公司

CIXI WANHAI ELECTRONICS CO., LTD.

PART. NAME: 2EDGRTM-5.08-XXP

TITLE:

PART. NO.:

DWG NAME:

APPROVED BY

CHECKED BY

DESIGNED BY

DRAWN BY

CUSTOM NO.:

Tolerance

x. ±0.50

x.x ±0.30

x.xx ±0.10

xx° ±1°



UNITS: mm

SCALE: 4/1

REVISIONB2