

1

2

3

4

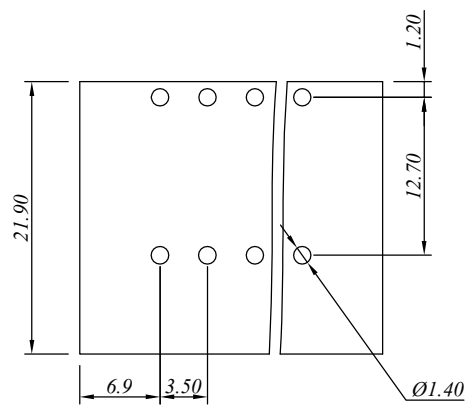
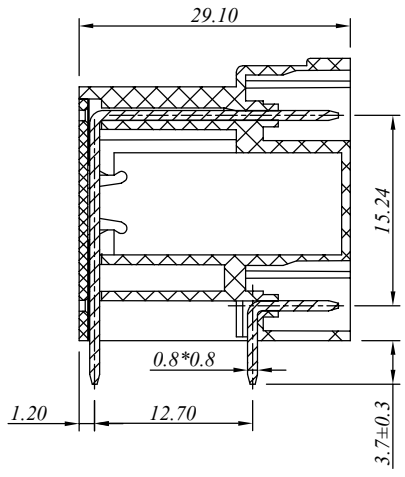
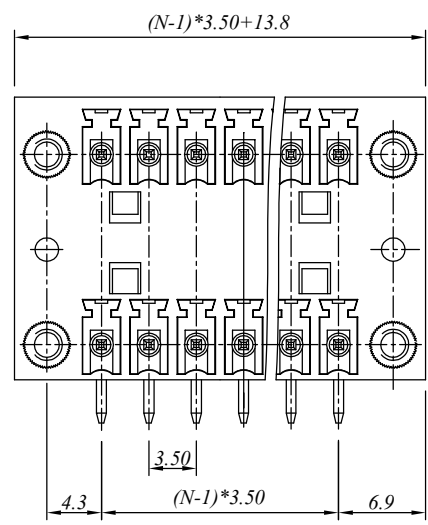
5

6

7

SIGN	DATE	DESCRIPTION	APPROVER
▲			
▲			
▲			

P.C.B. LAYOUT



材质于电镀 / Material

塑件/Insulator body:

PA66, UL94V-0

焊针/Pin header:

Brass, Tin plated

电器性能 / Electrical

参考标准/Standard:

UL IEC

额定电压/Rated voltage:

300V 250V

额定电流/Rated current:

8A 10A

接触电阻/Contact resistance:

20mΩ (max)

绝缘电阻/Insulation resistance:

500MΩ /500V

耐电压/Withstanding voltage:

AC 2000V/1Min

机械性能 / Mechanical

温度范围/Temperature range:

-40°C to +105°C

瞬间温度/Max soldering:

+250°C, for 5 Sec

尺寸 / Dimensions

间距/Pitch:

3.50mm

极数/Poles:

2-24P

N= Number of concats

慈溪万海电子有限公司 CIXI WANHAI ELECTRONICS CO., LTD.

PART NAME: 15EDGRHM-3.50-XXP				TITLE:	
PART NO.:				DWG NAME:	
APPROVED BY	CHECKED BY	DESIGNED BY	DRAWN BY	CUSTOM NO.:	Tolerance X ±0.50 X.X ±0.30 X.XX ±0.10 X° ±1°
				UNITS/mm	
				SCALE:1/1	
				REVISION:1	

1

2

3

4

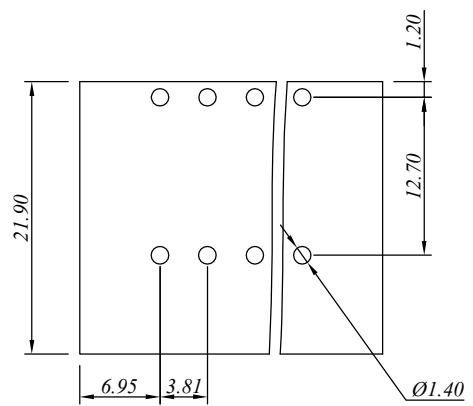
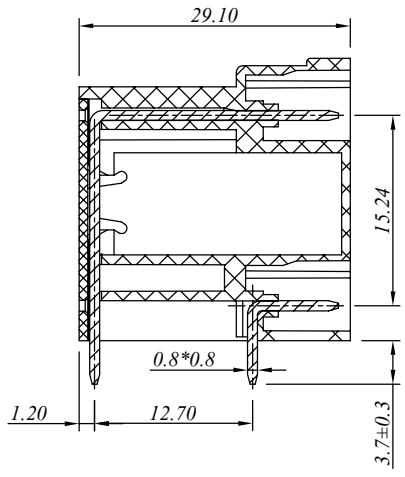
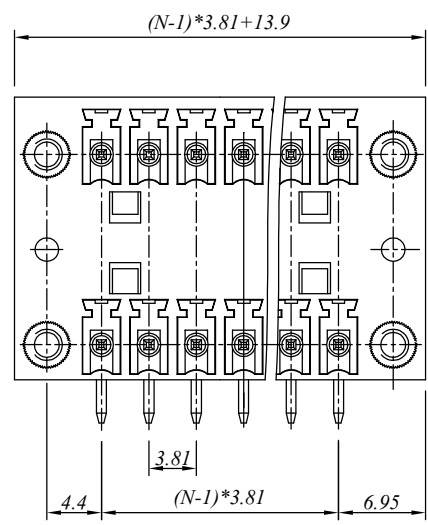
5

6

7

SIGN	DATE	DESCRIPTION	APPROVER
▲			
▲			
▲			

P.C.B. LAYOUT



材质于电镀 / Material

塑件/Insulator body:

PA66, UL94V-0

焊针/Pin header:

Brass, Tin plated

电器性能 / Electrical

参考标准/Standard:

UL IEC

额定电压/Rated voltage:

300V 250V

额定电流/Rated current:

8A 10A

接触电阻/Contact resistance:

20mΩ (max)

绝缘电阻/Insulation resistance:

500MΩ /500V

耐电压/Withstanding voltage:

AC 2000V/1Min

机械性能 / Mechanical

温度范围/Temperature range:

-40°C to +105°C

瞬间温度/Max soldering:

+250°C, for 5 Sec

尺寸 / Dimensions

间距/Pitch:

3.81mm

极数/Poles:

2-24P

N= Number of concats

慈溪万海电子有限公司 CIXI WANHAI ELECTRONICS CO., LTD.

PART NAME: 15EDGRHM-3.81-XXP				TITLE:	
PART NO.:				DWG NAME:	
APPROVED BY	CHECKED BY	DESIGNED BY	DRAWN BY	CUSTOM NO.:	Tolerance X ±0.50 X.X ±0.30 X.XX ±0.10 X° ±1°
				UNITS/mm	
				SCALE4/1	
				REVISION1	