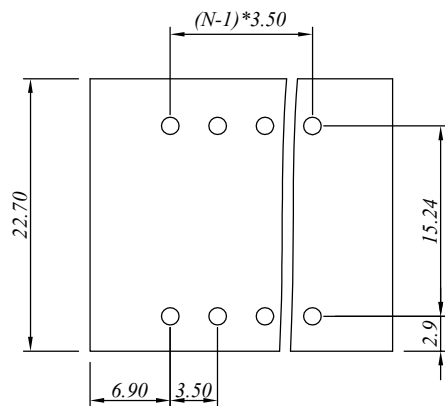
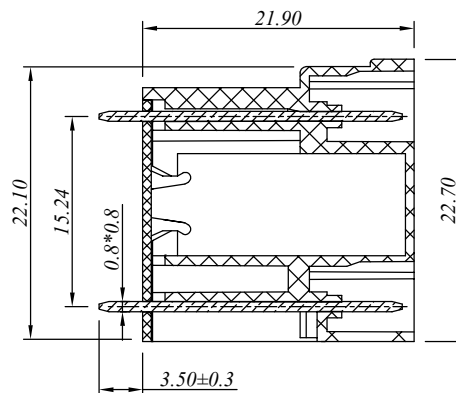
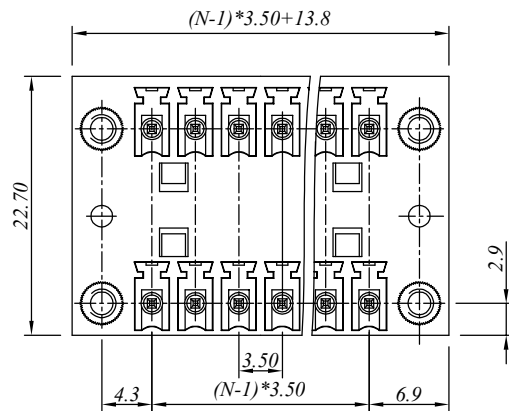


1 2 3 4 5 6 7

SIGN	DATE	DESCRIPTION	APPROVER
▲			
▲			
▲			

P.C.B. LAYOUT



N = Number of concats

材质于电镀 / Material

塑件 / Insulator body:

PA66, UL94V-0

焊针 / Pin header:

Brass, Tin plated

电器性能 / Electrical

参考标准 / Standard:

UL IEC

额定电压 / Rated voltage:

300V 250V

额定电流 / Rated current:

8A 10A

接触电阻 / Contact resistance:

20m Ω (max)

绝缘电阻 / Insulation resistance:

500M Ω / 500V

耐电压 / Withstanding voltage:

AC 2000V / 1Min

机械性能 / Mechanical

温度范围 / Temperature range:

-40°C to +105°C

瞬间温度 / Max soldering:

+250°C, for 5 Sec

尺寸 / Dimensions

间距 / Pitch:

3.50mm

极数 / Poles:

2-24P

慈溪万海电子有限公司
CIXI WANHAI ELECTRONICS CO., LTD.

PART NAME: 15EDGVHM-3.50-XXP

TITLE:

PART NO.:

DWG NAME:

APPROVED BY

CHECKED BY

DESIGNED BY

DRAWN BY

CUSTOM NO.:

Tolerance

X ±0.50

X.X ±0.30

X.XX ±0.10

X° ±1°



UNITS: mm

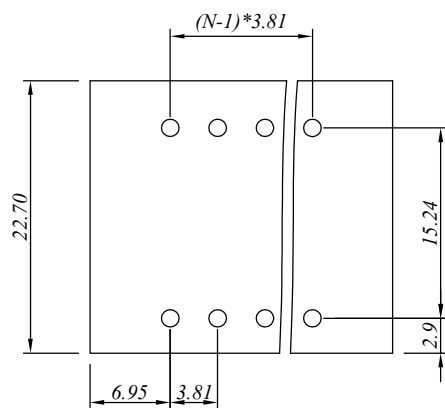
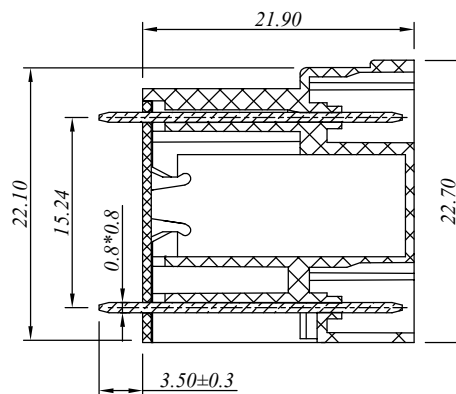
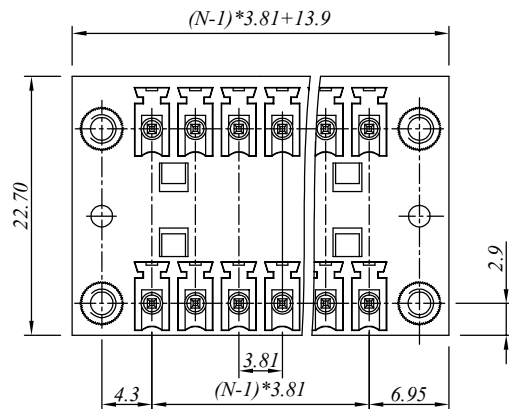
SCALE: 1/1

REVISION: 1

1 2 3 4 5 6 7

SIGN	DATE	DESCRIPTION	APPROVER
▲			
▲			
▲			

P.C.B. LAYOUT



$N = \text{Number of concats}$

材质于电镀 / Material

塑件/Insulator body:

PA66, UL94V-0

焊针/Pin header:

Brass, Tin plated

电器性能 / Electrical

参考标准/Standard:

UL IEC

额定电压/Rated voltage:

300V 250V

额定电流/Rated current:

8A 10A

接触电阻/Contact resistance:

20mΩ (max)

绝缘电阻/Insulation resistance:

500MΩ /500V

耐电压/Withstanding voltage:

AC 2000V/1Min

机械性能 / Mechanical

温度范围/Temperature range:

-40°C to +105°C

瞬间温度/Max soldering:

+250°C, for 5 Sec

尺寸 / Dimensions

间距/Pitch:

3.81mm

极数/Poles:

2-24P

慈溪万海电子有限公司
CIXI WANHAI ELECTRONICS CO., LTD.

PART NAME: 15EDGVHM-3.81-XXP

TITLE:

PART NO.:

DWG NAME:

APPROVED BY

CHECKED BY

DESIGNED BY

DRAWN BY

CUSTOM NO.:

Tolerance

X ±0.50

X.X ±0.30

X.XX ±0.10

X° ±1°

UNITS: mm

SCALE: 1/1

REVISION: 1