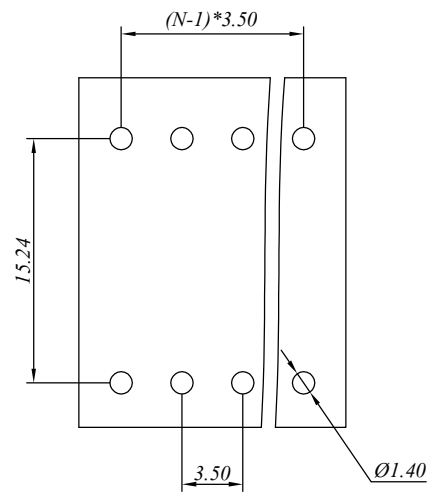
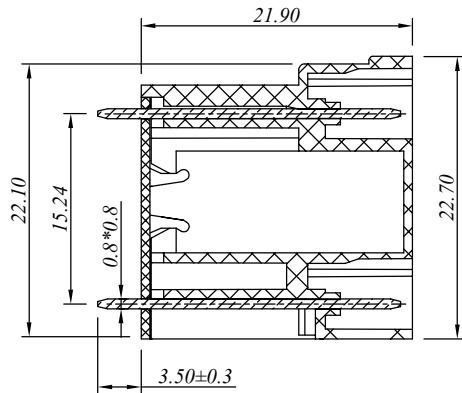
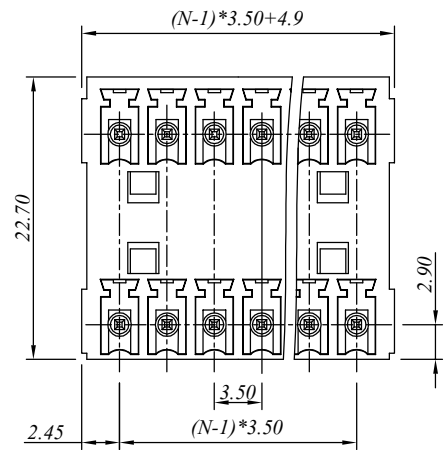


1 2 3 4 5 6 7

SIGN	DATE	DESCRIPTION	APPROVER
▲			
▲			
▲			

P.C.B. LAYOUT



$N = \text{Number of concats}$

材质于电镀/ Material

塑件/Insulator body: PA66, UL94V-0
 焊针/Pin header: Brass, Tin plated

电器性能/ Electrical

参考标准/Standard: UL IEC
 额定电压/Rated voltage: 300V 250V
 额定电流/Rated current: 8A 10A
 接触电阻/Contact resistance: 20m Ω (max)
 绝缘电阻/Insulation resistance: 500M Ω /500V
 耐电压/Withstanding voltage: AC 2000V/1Min

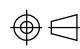
机械性能/ Mechanical

温度范围/Temperature range: -40°C to +105°C
 瞬间温度/Max soldering: +250°C, for 5 Sec

尺寸/Dimensions

间距/Pitch: 3.50mm
 极数/Poles: 2-24P

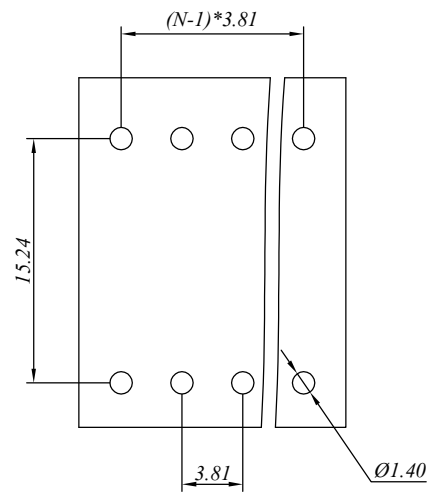
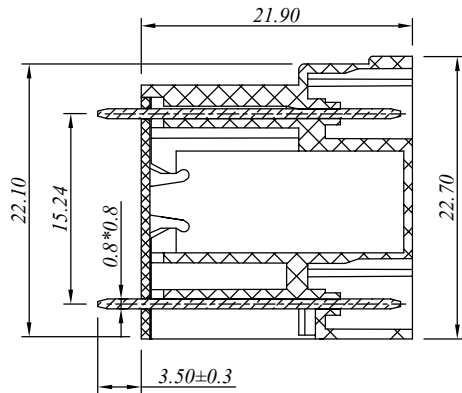
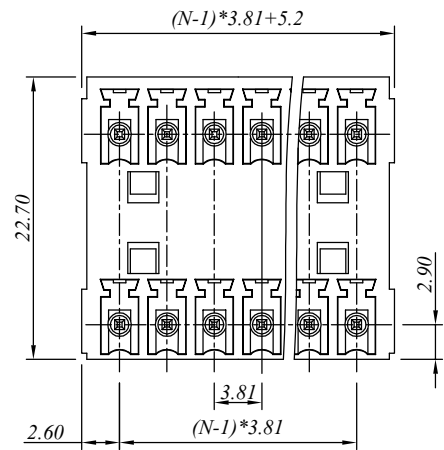
慈溪万海电子有限公司
CIXI WANHAI ELECTRONICS CO., LTD.

PART NAME: 15EDGVH-3.50-XXP				TITLE:	
PART NO.:				DWG NAME:	
APPROVED BY	CHECKED BY	DESIGNED BY	DRAWN BY	CUSTOM NO.:	Tolerance X ±0.50 X.X ±0.30 X.XX ±0.10 X° ±1°
				UNITS/mm SCALE: 4/1 REVISION: 1	
					

1 2 3 4 5 6 7

SIGN	DATE	DESCRIPTION	APPROVER
▲			
▲			
▲			

P.C.B. LAYOUT



N = Number of concats

材质于电镀/ Material

塑件/Insulator body: PA66, UL94V-0
 焊针/Pin header: Brass, Tin plated

电器性能/ Electrical

参考标准/Standard: UL IEC
 额定电压/Rated voltage: 300V 250V
 额定电流/Rated current: 8A 10A
 接触电阻/Contact resistance: 20m Ω (max)
 绝缘电阻/Insulation resistance: 500M Ω /500V
 耐电压/Withstanding voltage: AC 2000V/1Min

机械性能/ Mechanical

温度范围/Temperature range: -40°C to +105°C
 瞬间温度/Max soldering: +250°C, for 5 Sec

尺寸/Dimensions

间距/Pitch: 3.81mm
 极数/Poles: 2-24P

慈溪万海电子有限公司 CIXI WANHAI ELECTRONICS CO., LTD.

PART NAME: 15EDGVH-3.81-XXP				TITLE:	
PART NO.:				DWG NAME:	
APPROVED BY	CHECKED BY	DESIGNED BY	DRAWN BY	CUSTOM NO.:	Tolerance X ±0.50 X.X ±0.30 X.XX ±0.10 X° ±1°
				UNITS/mm SCALE4/1 REVISION1	