

P.C.B. LAYOUT

N = Number of concats

SIGN	DATE	DESCRIPTION	APPROVER
▲			
▲			
▲			

材质于电镀/ Material	
塑件/Insulator body:	PA66, UL94V-0
焊针/Pin header:	Brass, Tin plated
电器性能/ Electrical	
参考标准/Standard:	UL IEC
额定电压/Rated voltage:	300V 250V
额定电流/Rated current:	8A 10A
接触电阻/Contact resistance:	20m Ω (max)
绝缘电阻/Insulation resistance:	500M Ω /500V
耐电压/Withstanding voltage:	AC 2000V/1Min
机械性能/ Mechanical	
温度范围/Temperature range:	-40°C to +105°C
瞬间温度/Max soldering:	+250°C, for 5 Sec
尺寸/Dimensions	
间距/Pitch:	3.50mm
极数/Poles:	2-24P

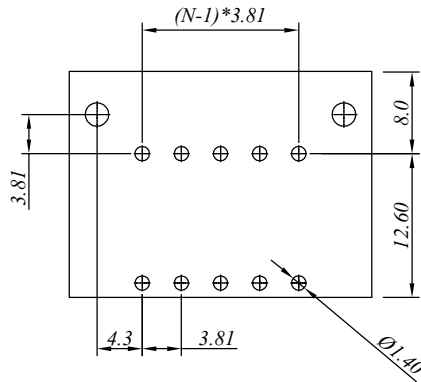
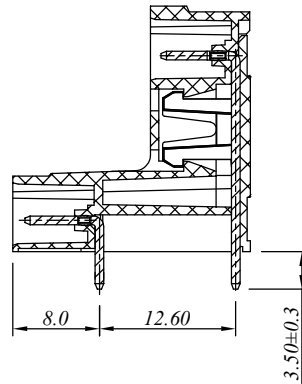
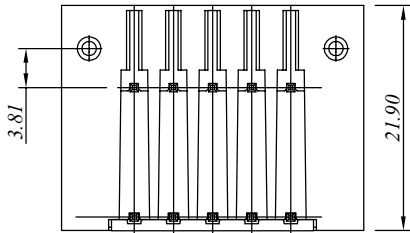
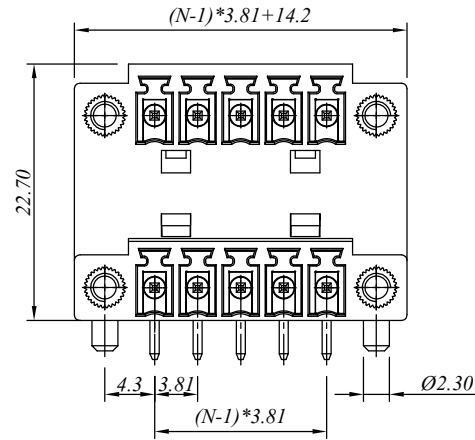
慈溪万海电子有限公司 CIXI WANHAI ELECTRONICS CO., LTD.

PART NAME: 15EDGRTM-3.50-XXP				TITLE:	
PART NO.:				DWG NAME:	
APPROVED BY	CHECKED BY	DESIGNED BY	DRAWN BY	CUSTOM NO.:	Tolerance X ±0.50 X.X ±0.30 X.XX ±0.10 X° ±1°
				UNITS/mm SCALE4/1 REVISION/1	

1 2 3 4 5 6 7

SIGN	DATE	DESCRIPTION	APPROVER
▲			
▲			
▲			

P.C.B. LAYOUT



$N = \text{Number of concats}$

材质于电镀/ Material

塑件/Insulator body:

PA66, UL94V-0

焊针/Pin header:

Brass, Tin plated

电器性能/ Electrical

参考标准/Standard:

UL IEC

额定电压/Rated voltage:

300V 250V

额定电流/Rated current:

8A 10A

接触电阻/Contact resistance:

20m Ω (max)

绝缘电阻/Insulation resistance:

500M Ω /500V

耐电压/Withstanding voltage:

AC 2000V/1Min

机械性能/ Mechanical

温度范围/Temperature range:

-40°C to +105°C

瞬间温度/Max soldering:

+250°C, for 5 Sec

尺寸/Dimensions

间距/Pitch:

3.81mm

极数/Poles:

2-24P

慈溪万海电子有限公司
CIXI WANHAI ELECTRONICS CO., LTD.

PART NAME: 15EDGRTM-3.81-XXP

TITLE:

PART NO.:

DWG NAME:

APPROVED BY

CHECKED BY

DESIGNED BY

DRAWN BY

CUSTOM NO.:

Tolerance

X ± 0.50

X.X ± 0.30

X.XX ± 0.10

X° $\pm 1^\circ$



UNITS:mm

SCALE:4/1

REVISION:1