

1

2

3

4

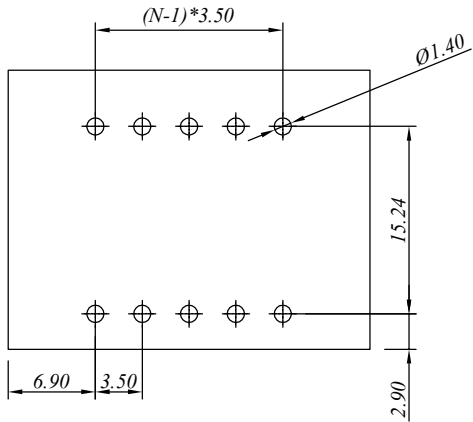
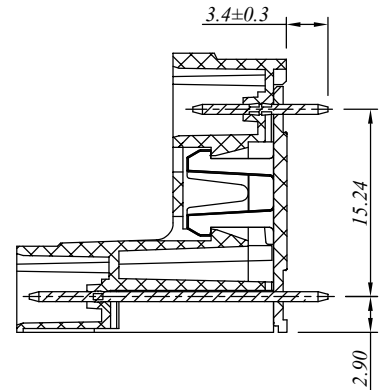
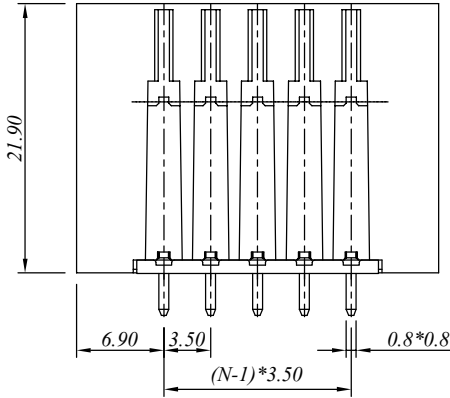
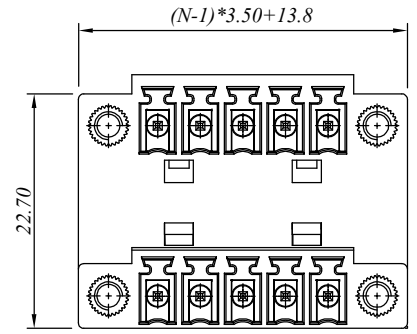
5

6

7

SIGN	DATE	DESCRIPTION	APPROVER
▲			
▲			
▲			

# P.C.B. LAYOUT



*N = Number of concats*

### 材质于电镀 / Material

塑件/Insulator body:  
焊针/Pin header:

PA66, UL94V-0  
Brass, Tin plated

### 电器性能 / Electrical

参考标准/Standard:  
额定电压/Rated voltage:  
额定电流/Rated current:  
接触电阻/Contact resistance:  
绝缘电阻/Insulation resistance:  
耐电压/Withstanding voltage:

UL IEC  
300V 250V  
8A 10A  
20m Ω (max)  
500M Ω /500V  
AC 2000V/1Min

### 机械性能 / Mechanical

温度范围/Temperature range:  
瞬间温度/Max soldering:

-40°C to +105°C  
+250°C, for 5 Sec

### 尺寸 / Dimensions

间距/Pitch:  
极数/Poles:

3.50mm  
2-24P

## 慈溪万海电子有限公司 CIXI WANHAI ELECTRONICS CO., LTD.

PART NAME: 15EDGVTM-3.50-XXP				TITLE:	
PART NO.:				DWG NAME:	
APPROVED BY	CHECKED BY	DESIGNED BY	DRAWN BY	CUSTOM NO.:	Tolerance X ±0.50 X.X ±0.30 X.XX ±0.10 X° ±1°
				UNITS/mm SCALE 4/1 REVISION B1	

1

2

3

4

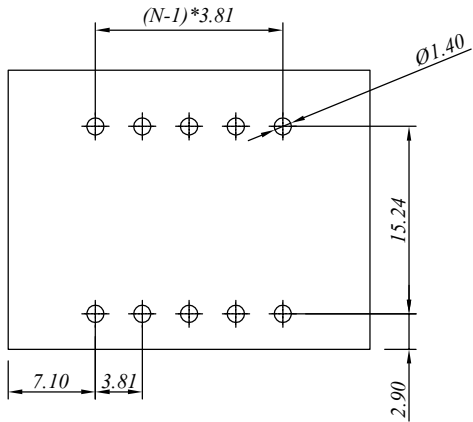
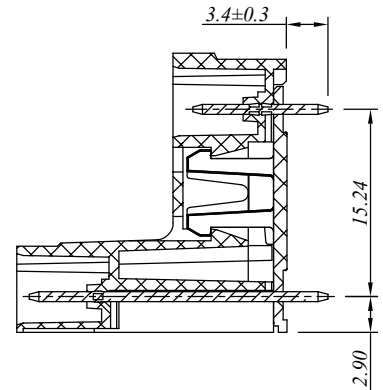
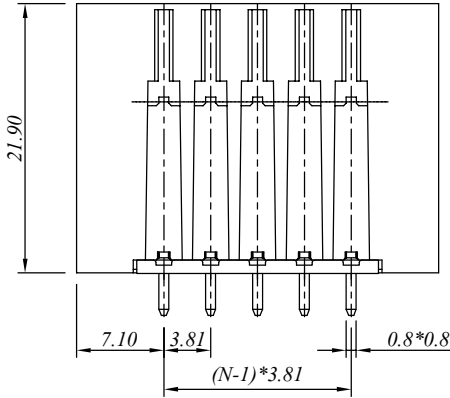
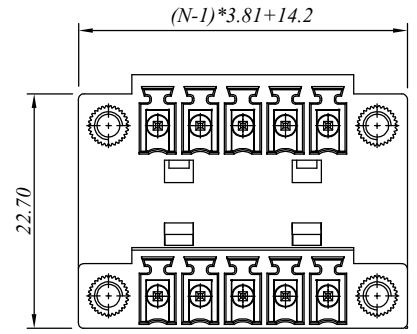
5

6

7

SIGN	DATE	DESCRIPTION	APPROVER
▲			
▲			
▲			

# P.C.B. LAYOUT



N= Number of concats

### 材质于电镀/ Material

塑件/Insulator body:  
 焊针/Pin header:

PA66, UL94V-0  
 Brass, Tin plated

### 电器性能/ Electrical

参考标准/Standard:  
 额定电压/Rated voltage:  
 额定电流/Rated current:  
 接触电阻/Contact resistance:  
 绝缘电阻/Insulation resistance:  
 耐电压/Withstanding voltage:

UL IEC  
 300V 250V  
 8A 10A  
 20m Ω (max)  
 500M Ω /500V  
 AC 2000V/1Min

### 机械性能/ Mechanical

温度范围/Temperature range:  
 瞬间温度/Max soldering:

-40°C to +105°C  
 +250°C, for 5 Sec

### 尺寸/Dimensions

间距/Pitch:  
 极数/Poles:

3.81mm  
 2-24P

## 慈溪万海电子有限公司 CIXI WANHAI ELECTRONICS CO., LTD.

PART NAME: 15EDGVTM-3.81-XXP				TITLE:	
PART NO.:				DWG NAME:	
APPROVED BY	CHECKED BY	DESIGNED BY	DRAWN BY	CUSTOM NO.:	Tolerance X ±0.50 X.X ±0.30 X.XX ±0.10 X° ±1°
				UNITS:mm	
				SCALE:1/1	
				REVISION:1	

E

D

C

B

A