

1

2

3

4

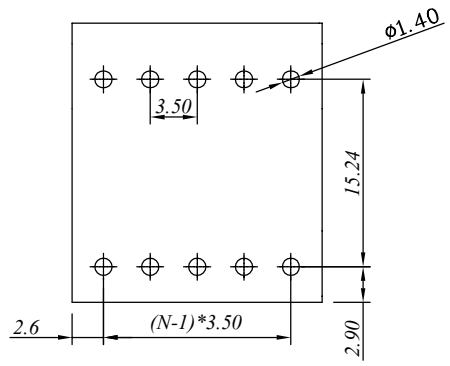
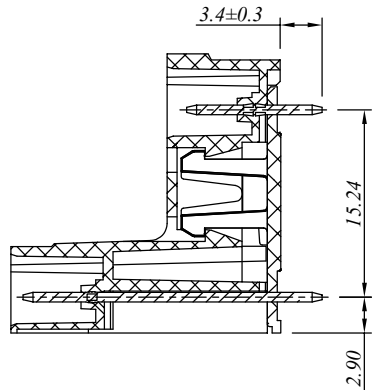
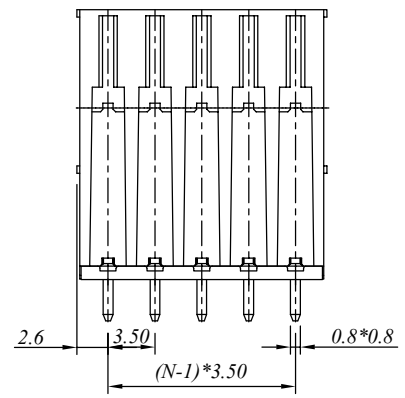
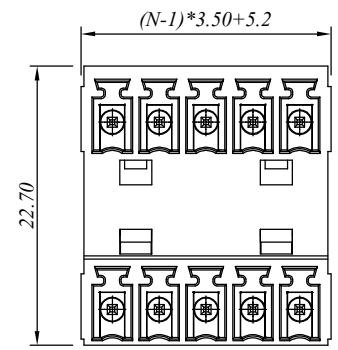
5

6

7

SIGN	DATE	DESCRIPTION	APPROVER
△			
△			
△			

P.C.B. LAYOUT



N= Number of concats

材质于电镀/ Material

塑件/Insulator body:
 焊针/Pin header:

PA66, UL94V-0
 Brass, Tin plated

电器性能/ Electrical

参考标准/Standard:
 额定电压/Rated voltage:
 额定电流/Rated current:
 接触电阻/Contact resistance:
 绝缘电阻/Insulation resistance:
 耐电压/Withstanding voltage:

UL IEC
 300V 250V
 8A 10A
 20m Ω (max)
 500M Ω /500V
 AC 2000V/1Min

机械性能/ Mechanical

温度范围/Temperature range:
 瞬间温度/Max soldering:

-40°C to +105°C
 +250°C, for 5 Sec

尺寸/Dimensions

间距/Pitch:
 极数/Poles:

3.50mm
 2-24P

慈溪万海电子有限公司 CIXI WANHAI ELECTRONICS CO., LTD.

PART NAME: 15EDGVT-3.50-XXP				TITLE:	
PART NO.:				DWG NAME:	
APPROVED BY	CHECKED BY	DESIGNED BY	DRAWN BY	CUSTOM NO.:	Tolerance X ±0.50 X.X ±0.30 X.XX ±0.10 X° ±1°
				UNITS:mm	
				SCALE:4/1	
				REVISION:1	

1

2

3

4

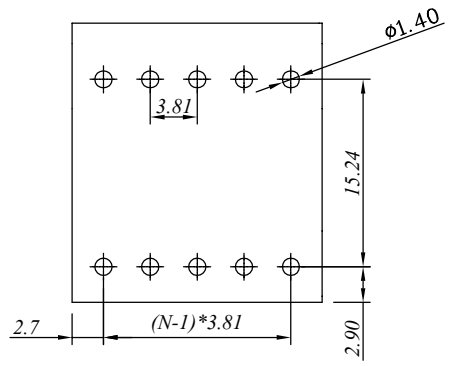
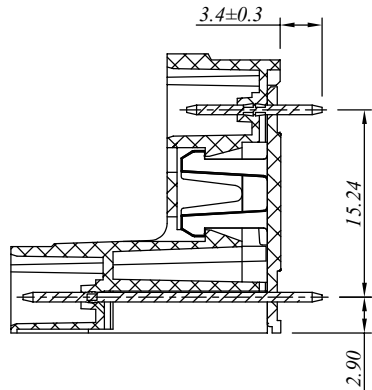
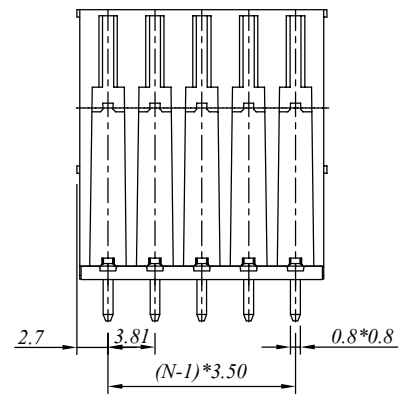
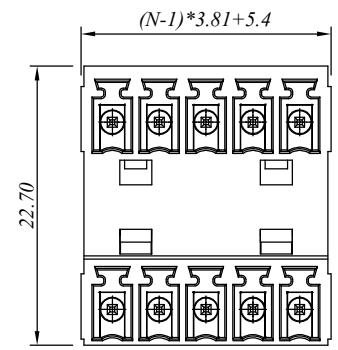
5

6

7

SIGN	DATE	DESCRIPTION	APPROVER
△			
△			
△			

P.C.B. LAYOUT



N= Number of concats

材质于电镀/ Material

塑件/Insulator body:
 焊针/Pin header:

PA66, UL94V-0
 Brass, Tin plated

电器性能/ Electrical

参考标准/Standard:
 额定电压/Rated voltage:
 额定电流/Rated current:
 接触电阻/Contact resistance:
 绝缘电阻/Insulation resistance:
 耐电压/Withstanding voltage:

UL IEC
 300V 250V
 8A 10A
 20m Ω (max)
 500M Ω /500V
 AC 2000V/1Min

机械性能/ Mechanical

温度范围/Temperature range:
 瞬间温度/Max soldering:

-40°C to +105°C
 +250°C, for 5 Sec

尺寸/Dimensions

间距/Pitch:
 极数/Poles:

3.81mm
 2-24P

慈溪万海电子有限公司
CIXI WANHAI ELECTRONICS CO., LTD.

PART NAME: 15EDGVT-3.81-XXP				TITLE:	
PART NO.:				DWG NAME:	
APPROVED BY	CHECKED BY	DESIGNED BY	DRAWN BY	CUSTOM NO.:	Tolerance X ±0.50 X.X ±0.30 X.XX ±0.10 X° ±1°
				UNITS:mm	
				SCALE:4/1	
				REVISION:1	

E

D

C

B

A