

1

2

3

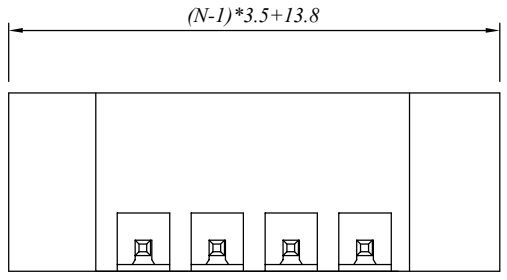
4

5

6

7

SIGN	DATE	DESCRIPTION	APPROVER
△			
△			
△			



P.C.B. LAYOUT

材质于电镀/Material

塑件/Insulator body: PA66, UL94V-0
 焊针/Pin header: Brass, Tin plated

电器性能/Electrical

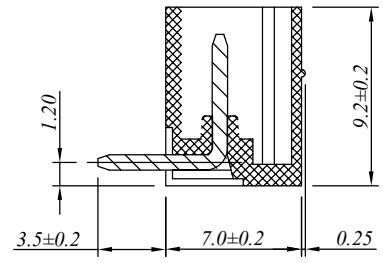
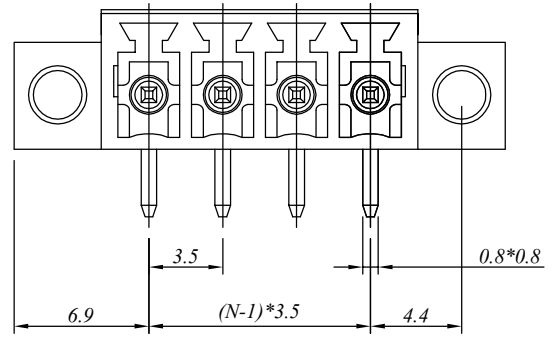
参考标准/Standard: UL IEC
 额定电压/Rated voltage: 300V 250V
 额定电流/Rated current: 8A 10A
 接触电阻/Contact resistance: 20mΩ (max)
 绝缘电阻/Insulation resistance: 500MΩ /500V
 耐电压/Withstanding voltage: AC 2000V/1Min

机械性能/Mechanical

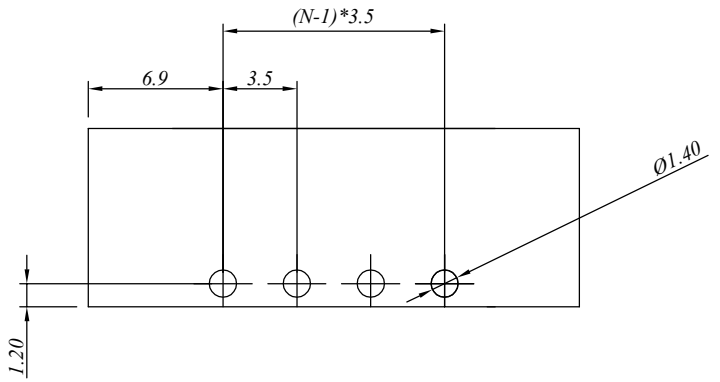
温度范围/Temperature range: -40°C to +105°C
 瞬间温度/Max soldering: +250°C, for 5 Sec

尺寸/Dimensions

间距/Pitch: 3.5mm
 极数/Poles: 2-24P



N= Number of concats



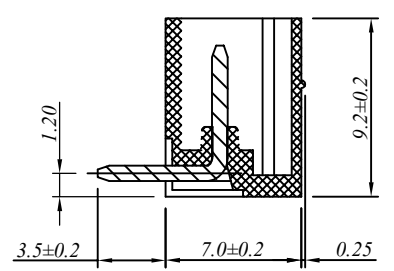
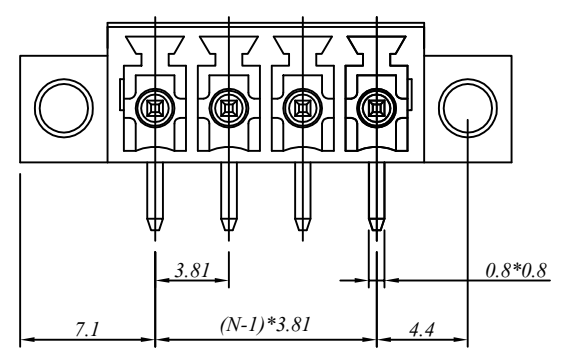
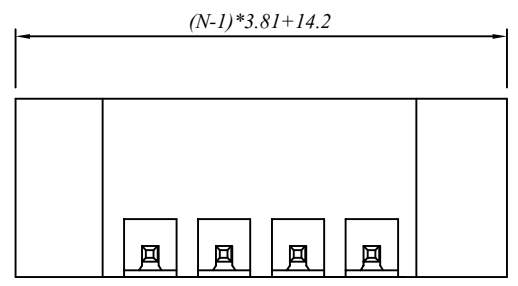
慈溪万海电子有限公司 CIXI WANHAI ELECTRONICS CO., LTD.

PART NAME: 15EDGRM-3.50-XXP				TITLE:	
PART NO.:				DWG NAME:	
APPROVED BY	CHECKED BY	DESIGNED BY	DRAWN BY	CUSTOM NO.:	Tolerance X ±0.50 X.X ±0.30 X.XX ±0.10 X° ±1°
				UNITS:mm	
				SCALE:1/1	
				REVISION:1	

1 2 3 4 5 6 7

SIGN	DATE	DESCRIPTION	APPROVER
▲			
▲			
▲			

P.C.B. LAYOUT



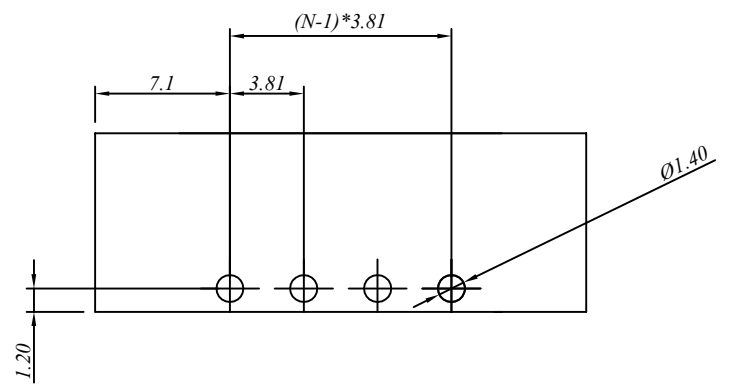
材质于电镀/*Material*
 塑件/*Insulator body*: PA66, UL94V-0
 焊针/*Pin header*: Brass, Tin plated

电器性能/*Electrical*
 参考标准/*Standard*: UL IEC
 额定电压/*Rated voltage*: 300V 250V
 额定电流/*Rated current*: 8A 10A
 接触电阻/*Contact resistance*: 20m Ω (max)
 绝缘电阻/*Insulation resistance*: 500M Ω /500V
 耐电压/*Withstanding voltage*: AC 2000V/1Min

机械性能/*Mechanical*
 温度范围/*Temperature range*: -40°C to +105°C
 瞬间温度/*Max soldering*: +250°C, for 5 Sec

尺寸/*Dimensions*
 间距/*Pitch*: 3.81mm
 极数/*Poles*: 2-24P

N= Number of concats



慈溪万海电子有限公司
CIXI WANHAI ELECTRONICS CO., LTD.

PART NAME: 15EDGRM-3.81-XXP				TITLE:	
PART NO.:				DWG NAME:	
APPROVED BY	CHECKED BY	DESIGNED BY	DRAWN BY	CUSTOM NO.:	Tolerance X ±0.50 X.X ±0.30 X.XX ±0.10 X° ±1°
				UNITS: mm	
				SCALE: 4/1	
				REVISION: 1	