

1

2

3

4

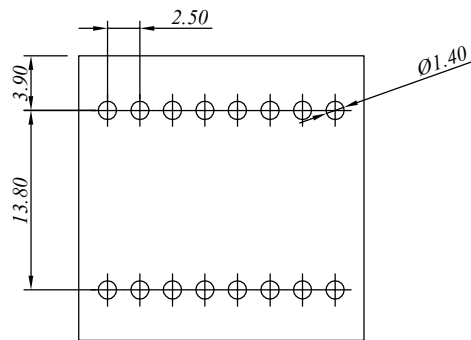
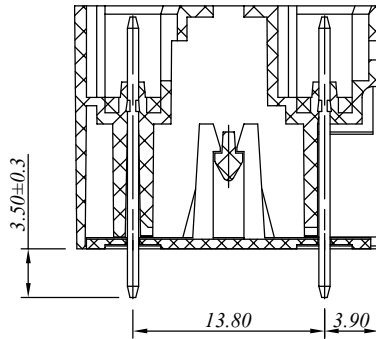
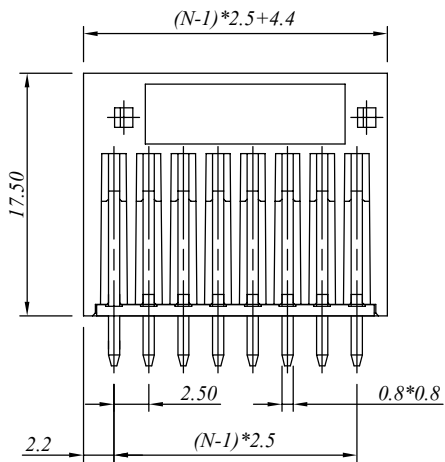
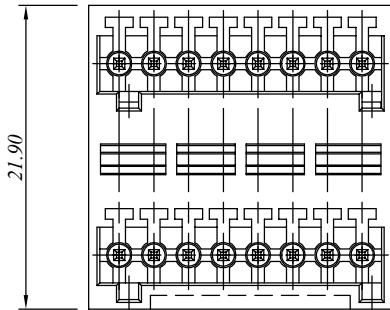
5

6

7

SIGN	DATE	DESCRIPTION	APPROVER
▲			
▲			
▲			

P.C.B. LAYOUT



N= Number of concats

材质于电镀/Material

塑件/Insulator body:

PA66, UL94V-0

焊针/Pin header:

Brass, Tin plated

电器性能/Electrical

参考标准/Standard:

UL IEC

额定电压/Rated voltage:

150V 130V

额定电流/Rated current:

4A 5A

接触电阻/Contact resistance:

20m Ω (max)

绝缘电阻/Insulation resistance:

500M Ω /500V

耐电压/Withstanding voltage:

AC 1250V/1Min

机械性能/Mechanical

温度范围/Temperature range:

-40°C to +105°C

瞬间温度/Max soldering:

+250°C, for 5 Sec

尺寸/Dimensions

间距/Pitch:

2.50mm

极数/Poles:

2-24P

慈溪万海电子有限公司
CIXI WANHAI ELECTRONICS CO., LTD.

PART NAME: 15EDGVH-2.50-XXP

TITLE:

PART NO.:

DWG NAME:

APPROVED BY

CHECKED BY

DESIGNED BY

DRAWN BY

CUSTOM NO.:

Tolerance

X ±0.50

X.X ±0.30

X.XX ±0.10

X° ±1°



UNITS:mm

SCALE:4/1

REVISION:1