

1

2

3

4

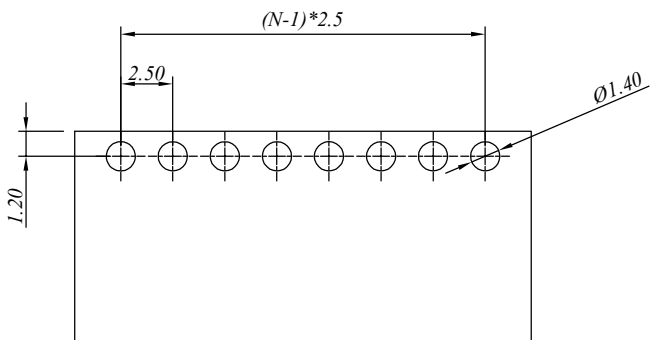
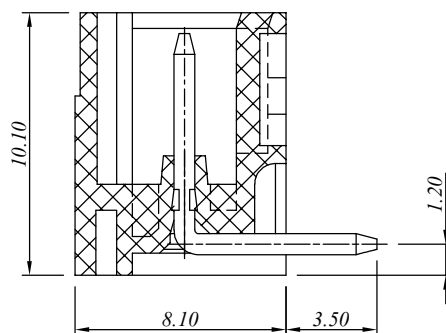
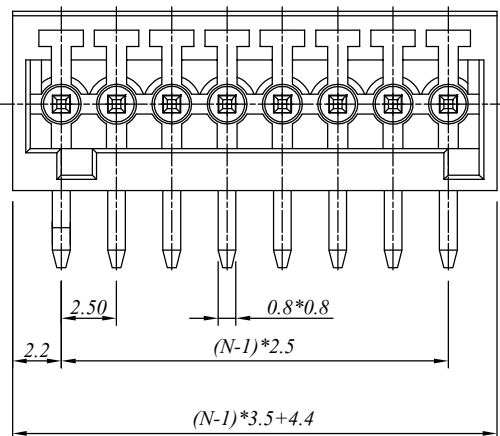
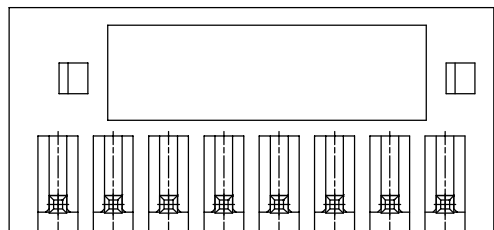
5

6

7

SIGN	DATE	DESCRIPTION	APPROVER
▲			
▲			
▲			

P.C.B. LAYOUT



N = Number of concats

材质于电镀 / Material

塑件/Insulator body:

PA66, UL94V-0

焊针/Pin header:

Brass, Tin plated

电器性能 / Electrical

参考标准/Standard:

UL IEC

额定电压/Rated voltage:

150V 130V

额定电流/Rated current:

4A 5A

接触电阻/Contact resistance:

20m Ω (max)

绝缘电阻/Insulation resistance:

500M Ω /500V

耐电压/Withstanding voltage:

AC 1250V/1Min

机械性能 / Mechanical

温度范围/Temperature range:

-40°C to +105°C

瞬间温度/Max soldering:

+250°C, for 5 Sec

尺寸 / Dimensions

间距/Pitch:

2.50mm

极数/Poles:

2-24P

慈溪万海电子有限公司
CIXI WANHAI ELECTRONICS CO., LTD.

PART NAME: 15EDGRC-2.50-XXP				TITLE:	
PART NO.:				DWG NAME:	
APPROVED BY	CHECKED BY	DESIGNED BY	DRAWN BY	CUSTOM NO.:	Tolerance X.X ±0.50 X.XX ±0.30 X.XXX ±0.10 X° ±1°
				UNITS: mm	
				SCALE: 4/1	
				REVISION: 1	