

1

2

3

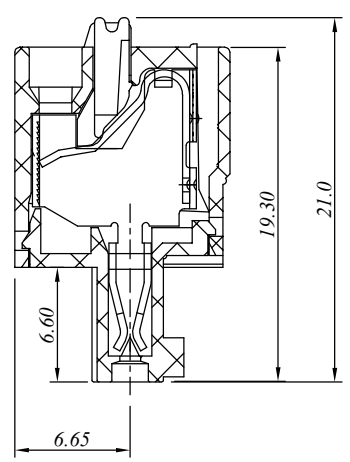
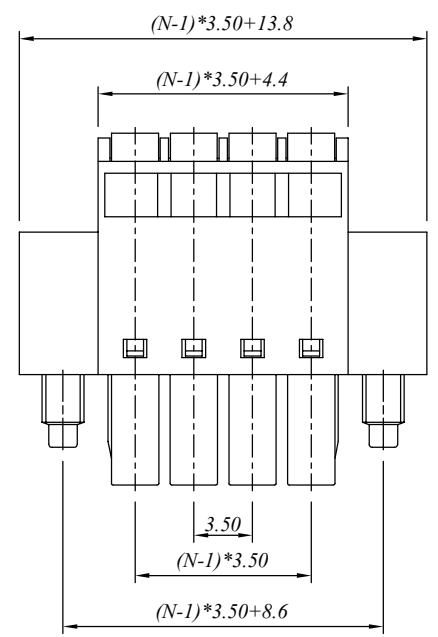
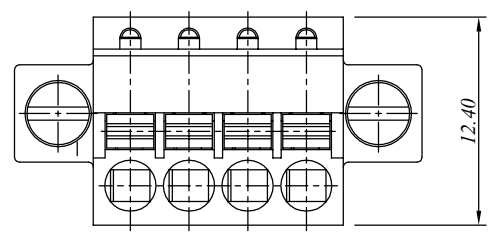
4

5

6

7

SIGN	DATE	DESCRIPTION	APPROVER
△			
△			
△			
△			



材质于电镀/ Material

塑件/Insulator body: PA66, UL94V-0
 弹片/Shrapnel: Stainless steel
 夹子/Clamp: Phosphor bronze, Ni planted

电器性能/ Electrical

参考标准/Standard: UL IEC
 额定电压/Rated voltage: 300V 250V
 额定电流/Rated current: 8A 10A
 接触电阻/Contact resistance: 20m Ω (max)
 绝缘电阻/Insulation resistance: 500M Ω /500V
 耐电压/Withstanding voltage: AC 2000V/1Min
 使用线径/Wire range: 16-28AWG, 1.0mm²

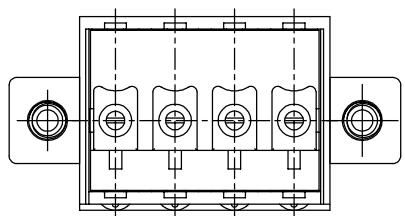
机械性能/ Mechanical

温度范围/Temperature range: -40°C to +105°C
 剥线长度/Steip length: 7-8mm

尺寸/Dimensions

间距/Pitch: 3.50mm
 极数/Poles: 2-24P

N=Number of contacts



慈溪万海电子有限公司
CIXI WANHAI ELECTRONICS CO., LTD.

PART. NAME: 15EDGKD-3.50-XXP				TITLE:	
PART. NO.:				DWG NAME:	
APPROVED BY	CHECKED BY	DESIGNED BY	DRAWN BY	CUSTOM NO.:	Tolerance X ±0.50 X.X ±0.30 X.XX ±0.10 XX° ±1°
				UNITS:mm	
				SCALE:1.9/1 REVISION:5	

1

2

3

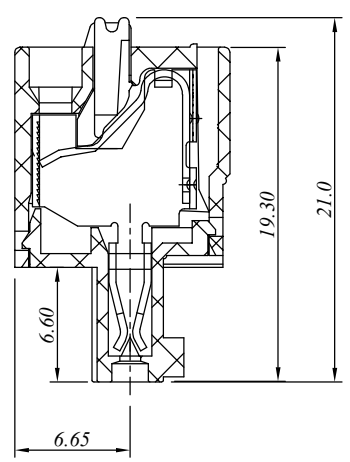
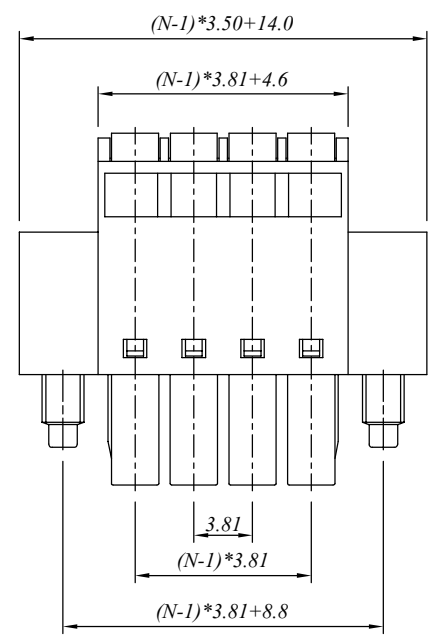
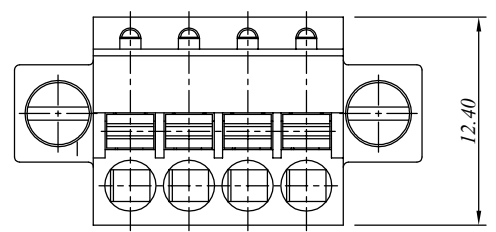
4

5

6

7

SIGN	DATE	DESCRIPTION	APPROVER
△			
△			
△			
△			



材质于电镀/ Material

塑件/Insulator body: PA66, UL94V-0
 弹片/Shrapnel: Stainless steel
 夹子/Clamp: Phosphor bronze, Ni planted

电器性能/ Electrical

参考标准/Standard: UL IEC
 额定电压/Rated voltage: 300V 250V
 额定电流/Rated current: 8A 10A
 接触电阻/Contact resistance: 20m Ω (max)
 绝缘电阻/Insulation resistance: 500M Ω /500V
 耐电压/Withstanding voltage: AC 2000V/1Min
 使用线径/Wire range: 16-28AWG, 1.0mm²

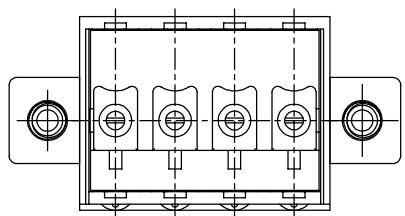
机械性能/ Mechanical

温度范围/Temperature range: -40°C to +105°C
 剥线长度/Steip length: 7-8mm

尺寸/Dimensions

间距/Pitch: 3.50mm
 极数/Poles: 2-24P

N=Number of contacts



慈溪万海电子有限公司
CIXI WANHAI ELECTRONICS CO., LTD.

PART. NAME: 15EDGKD-3.50-XXP				TITLE:	
PART. NO.:				DWG NAME:	
APPROVED BY	CHECKED BY	DESIGNED BY	DRAWN BY	CUSTOM NO.:	Tolerance X ±0.50 X.X ±0.30 X.XX ±0.10 XX° ±1°
				UNITS:mm	
				SCALE:1.9/1 REVISION:5	