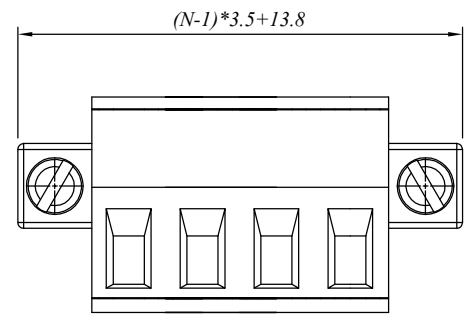
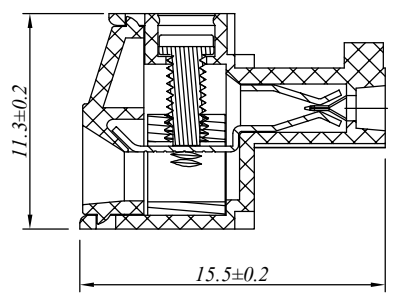
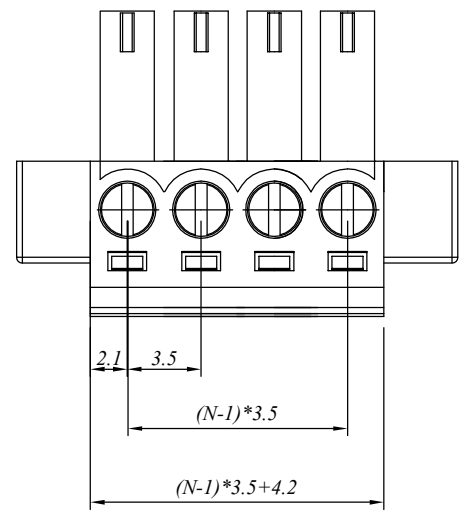


1 2 3 4 5 6 7

| SIGN | DATE | DESCRIPTION | APPROVER |
|------|------|-------------|----------|
| ▲ | | | |
| ▲ | | | |
| ▲ | | | |



N=Number of contacts

材质于电镀/ Material

塑件/Insulator body: PA66, UL94V-0
 方块/Contact(metal housing): Brass ,Ni planted
 螺丝/Terminal screw: M2.0, Steel Zn planted
 夹子/Clamp: Phosphor bronze, Ni planted

电器性能/ Electrical

参考标准/Standard: UL IEC
 额定电压/Rated voltage: 300V 250V
 额定电流/Rated current: 8A 10A
 接触电阻/Contact resistance: 20m Ω (max)
 绝缘电阻/Insulation resistance: 500M Ω /500V
 耐电压/Withstanding voltage: AC 2000V/1Min
 使用线径/Wire range: 16-28AWG, 1.5mm²

机械性能/ Mechanical

扭矩/Torque: 0.2Nm(1.7Lb.in)
 温度范围/Temperature range: -40°C to +105°C
 剥线长度/Steip length: 6-7mm
 瞬间温度/Max soldering: +250°C, for 5 Sec

尺寸/Dimensions

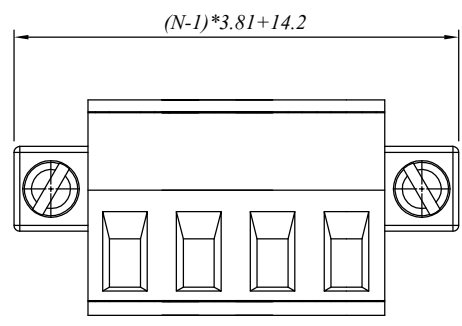
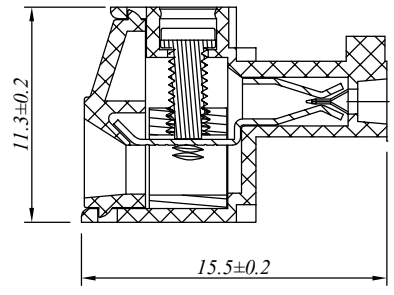
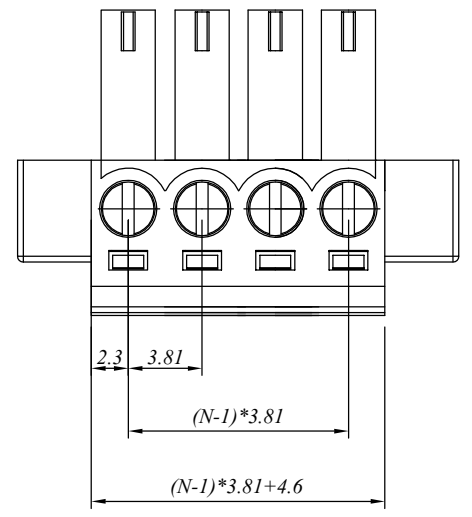
间距/Pitch: 3.5mm
 极数/Poles: 2-24P

慈溪万海电子有限公司
CIXI WANHAI ELECTRONICS CO., LTD.

| | | | | | |
|-----------------------------|------------|-------------|----------|-------------|-----------------------------------------------------------|
| PART NAME: 15EDGKM-3.50-XXP | | | | TITLE: | |
| PART NO.: | | | | DWG NAME: | |
| APPROVED BY | CHECKED BY | DESIGNED BY | DRAWN BY | CUSTOM NO.: | Tolerance X ±0.50 X.X ±0.30 X.XX ±0.10 X° ±1° |
| | | | | UNITSmm | |
| | | | | SCALE#/1 | |
| | | | | REVISION#1 | |

1 2 3 4 5 6 7

| SIGN | DATE | DESCRIPTION | APPROVER |
|------|------|-------------|----------|
| ▲ | | | |
| ▲ | | | |
| ▲ | | | |



N=Number of contacts

材质于电镀/ Material

塑件/Insulator body: PA66, UL94V-0
 方块/Contact(metal housing): Brass ,Ni plated
 螺丝/Terminal screw: M2.0, Steel Zn plated
 夹子/Clamp: Phosphor bronze, Ni plated

电器性能/ Electrical

参考标准/Standard: UL IEC
 额定电压/Rated voltage: 300V 250V
 额定电流/Rated current: 8A 10A
 接触电阻/Contact resistance: 20m Ω (max)
 绝缘电阻/Insulation resistance: 500M Ω /500V
 耐电压/Withstanding voltage: AC 2000V/1Min
 使用线径/Wire range: 16-28AWG, 1.5mm²

机械性能/ Mechanical

扭矩/Torque: 0.2Nm(1.7Lb.in)
 温度范围/Temperature range: -40°C to +105°C
 剥线长度/Steip length: 6-7mm
 瞬间温度/Max soldering: +250°C, for 5 Sec

尺寸/Dimensions

间距/Pitch: 3.81mm
 极数/Poles: 2-24P

慈溪万海电子有限公司
CIXI WANHAI ELECTRONICS CO., LTD.

| | | | | | |
|-----------------------------|------------|-------------|----------|-------------|-----------------------------------------------------------|
| PART NAME: 15EDGKM-3.81-XXP | | | | TITLE: | |
| PART NO.: | | | | DWG NAME: | |
| APPROVED BY | CHECKED BY | DESIGNED BY | DRAWN BY | CUSTOM NO.: | Tolerance X ±0.50 X.X ±0.30 X.XX ±0.10 X° ±1° |
| | | | | UNITSmm | |
| | | | | SCALE#1 | |
| | | | | REVISION#1 | |

E

D

C

B

A