

1

2

3

4

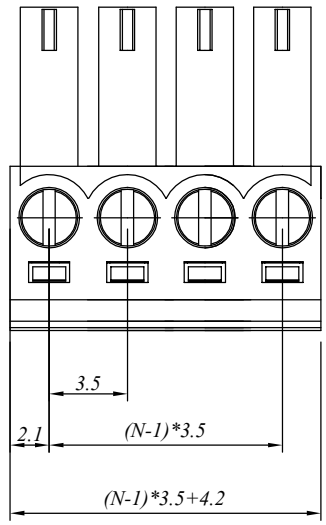
5

6

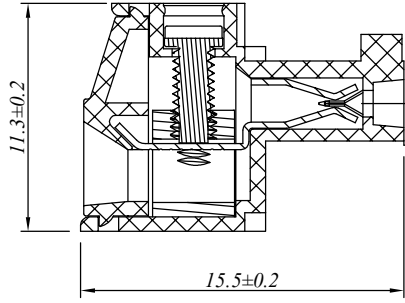
7

| SIGN | DATE | DESCRIPTION | APPROVER |
|------|------|-------------|----------|
| △    |      |             |          |
| △    |      |             |          |
| △    |      |             |          |

E



D



C

材质于电镀/ Material

塑件/Insulator body: PA66, UL94V-0  
 方块/Contact(metal housing): Brass ,Ni plated  
 螺丝/Terminal screw: M2.0, Steel Zn plated  
 夹子/Clamp: Phosphor bronze, Ni plated

电器性能/ Electrical

参考标准/Standard: UL IEC  
 额定电压/Rated voltage: 300V 250V  
 额定电流/Rated current: 8A 10A  
 接触电阻/Contact resistance: 20m Ω (max)  
 绝缘电阻/Insulation resistance: 500M Ω /500V  
 耐电压/Withstanding voltage: AC 2000V/1Min  
 使用线径/Wire range: 16-28AWG, 1.5mm<sup>2</sup>

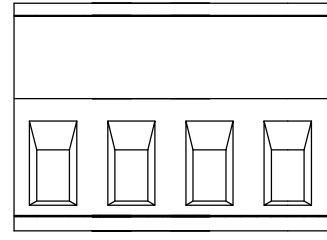
机械性能/ Mechanical

扭矩/Torque: 0.2Nm(1.7Lb.in)  
 温度范围/Temperature range: -40°C to +105°C  
 剥线长度/Steip length: 6-7mm  
 瞬间温度/Max soldering: +250°C, for 5 Sec

尺寸/Dimensions

间距/Pitch: 3.5mm  
 极数/Poles: 2-24P

B



A

N=Number of contacts

慈溪万海电子有限公司  
**CIXI WANHAI ELECTRONICS CO., LTD.**

|                            |            |             |          |             |   |
|----------------------------|------------|-------------|----------|-------------|---|
| PART NAME: 15EDGK-3.50-XXP |            |             |          | TITLE:      |   |
| PART NO.:                  |            |             |          | DWG NAME:   |   |
| APPROVED BY                | CHECKED BY | DESIGNED BY | DRAWN BY | CUSTOM NO.: | Tolerance<br>X ±0.50<br>X.X ±0.30<br>X.XX ±0.10<br>X° ±1° |
|                            |            |             |          | UNITS:mm    |   |
|                            |            |             |          | SCALE:#/1   |   |
|                            |            |             |          | REVISION#1  |   |

1

2

3

4

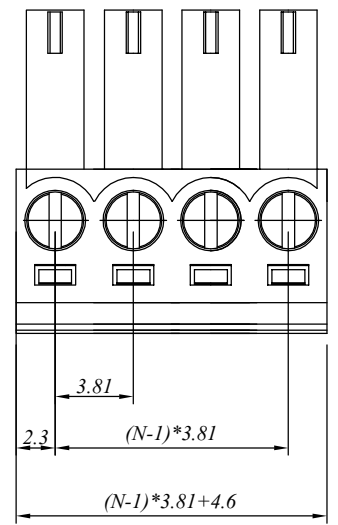
5

6

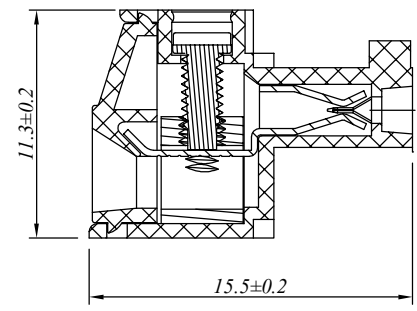
7

| SIGN | DATE | DESCRIPTION | APPROVER |
|------|------|-------------|----------|
| △    |      |             |          |
| △    |      |             |          |
| △    |      |             |          |

E



D



C

材质于电镀/ Material

塑件/Insulator body: PA66, UL94V-0  
 方块/Contact(metal housing): Brass ,Ni planted  
 螺丝/Terminal screw: M2.0, Steel Zn planted  
 夹子/Clamp: Phosphor bronze, Ni planted

电器性能/ Electrical

参考标准/Standard: UL IEC  
 额定电压/Rated voltage: 300V 250V  
 额定电流/Rated current: 8A 10A  
 接触电阻/Contact resistance: 20m Ω (max)  
 绝缘电阻/Insulation resistance: 500M Ω /500V  
 耐电压/Withstanding voltage: AC 2000V/1Min  
 使用线径/Wire range: 16-28AWG, 1.5mm<sup>2</sup>

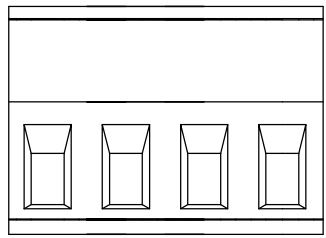
机械性能/ Mechanical

扭矩/Torque: 0.2Nm(1.7Lb.in)  
 温度范围/Temperature range: -40°C to +105°C  
 剥线长度/Steip length: 6-7mm  
 瞬间温度/Max soldering: +250°C, for 5 Sec

尺寸/Dimensions

间距/Pitch: 3.81mm  
 极数/Poles: 2-24P

B



A

N=Number of contacts

慈溪万海电子有限公司  
**CIXI WANHAI ELECTRONICS CO., LTD.**

|                            |            |             |          |             |   |
|----------------------------|------------|-------------|----------|-------------|---|
| PART NAME: 15EDGK-3.81-XXP |            |             |          | TITLE:      |   |
| PART NO.:                  |            |             |          | DWG NAME:   |   |
| APPROVED BY                | CHECKED BY | DESIGNED BY | DRAWN BY | CUSTOM NO.: | Tolerance<br>X ±0.50<br>X.X ±0.30<br>X.XX ±0.10<br>X° ±1° |
|                            |            |             |          | UNITS:mm    |   |
|                            |            |             |          | SCALE#:/1   |   |
|                            |            |             |          | REVISION#1  |   |