

1

2

3

4

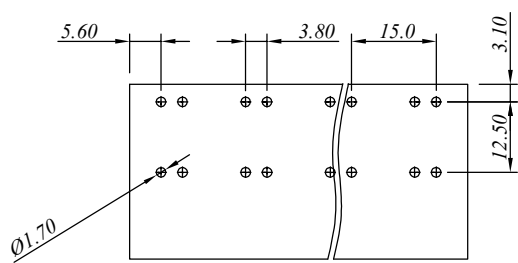
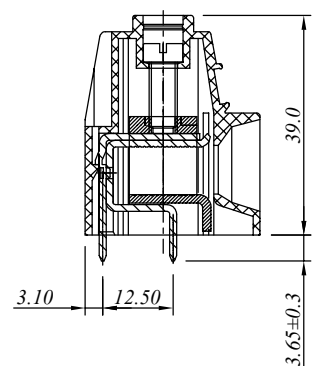
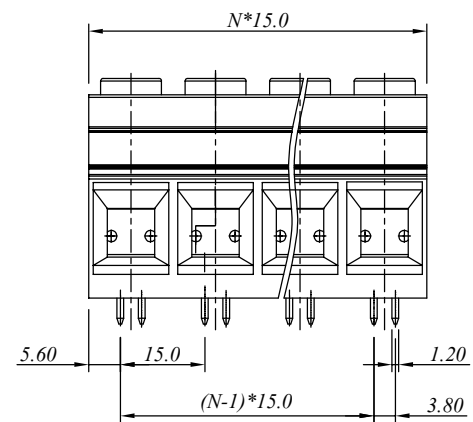
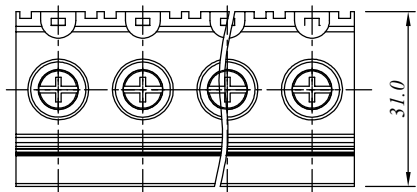
5

6

7

△			
△			
△			

### P.C.B. LAYOUT



N=Number of contacts

#### 材质于电镀/Material

塑件/Insulator body:	PA66, UL94V-0
方块/Contact(metal housing):	Steel ,Zn planted
螺丝/Terminal screw:	M5.0, Steel Zn planted
焊脚/Pin header:	Brass, Tin planted

#### 电器性能/Electrical

参考标准/Standard:	UL	IEC
额定电压/Rated voltage:	600V	1000V
额定电流/Rated current:	115A	125A
接触电阻/Contact resistance:	20m Ω (max)	
绝缘电阻/Insulation resistance:	500M Ω /500V	
耐电压/Withstanding voltage:	AC 3500V/1Min	
使用线径/Wire range:	2-20AWG, 35mm <sup>2</sup>	

#### 机械性能/Mechanical

扭矩/Torque:	2Nm(17.7Lb.in)
温度范围/Temperature range:	-40°C to +105°C
剥线长度/Steip length:	17-18mm
瞬间温度/Max soldering:	+250°C, for 5 Sec

#### 尺寸/Dimensions

间距/Pitch:	15.0mm
极数/Poles:	2-12P

## 慈溪万海电子有限公司 CIXI WANHAI ELECTRONICS CO., LTD.

PART. NAME: JM137T-15.0-XXP				TITLE:	
PART. NO.:				DWG NAME:	
APPROVED BY	CHECKED BY	DESIGNED BY	DRAWN BY	CUSTOM NO.:	Tolerance X ±0.50 X.X ±0.30 X.XX ±0.10 XX° ±1°
				UNITS: mm	
				SCALE: 3.125/1 REVISION B2	

