

1

2

3

4

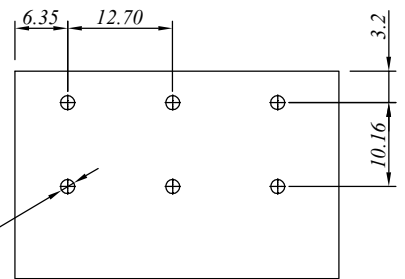
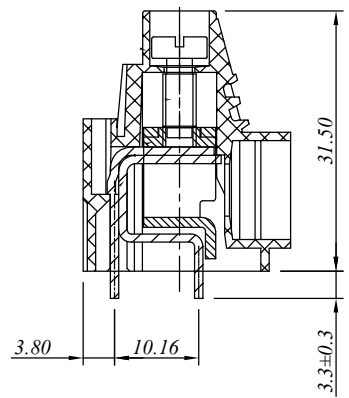
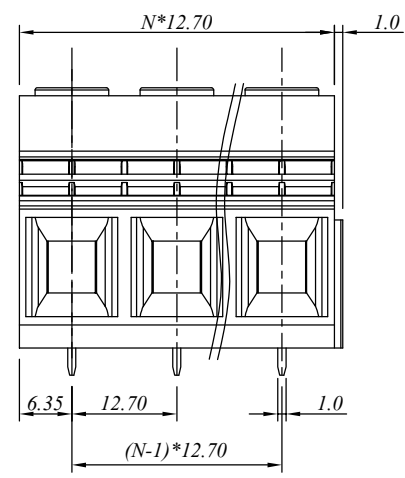
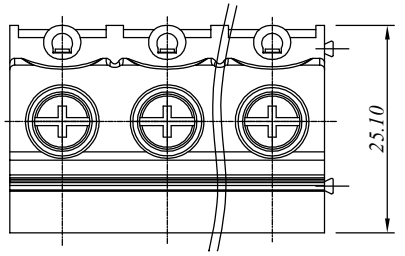
5

6

7

△			
△			
△			

P.C.B. LAYOUT



N=Number of contacts

材质于电镀/Material

塑件/Insulator body:	PA66, UL94V-0
方块/Contact(metal housing):	Brass ,Ni planted
螺丝/Terminal screw:	M4.0, Steel Zn planted
焊脚/Pin header:	Brass, Tin planted

电器性能/Electrical

参考标准/Standard:	UL	IEC
额定电压/Rated voltage:	600V	1000V
额定电流/Rated current:	65A	76A
接触电阻/Contact resistance:	20m Ω (max)	
绝缘电阻/Insulation resistance:	500M Ω /500V	
耐电压/Withstanding voltage:	AC 2500V/1Min	
使用线径/Wire range:	6-20AWG, 16mm ²	

机械性能/Mechanical

扭矩/Torque:	1.2Nm(10.6Lb.in)
温度范围/Temperature range:	-40°C to +105°C
剥线长度/Steip length:	11-12mm
瞬间温度/Max soldering:	+250°C, for 5 Sec

尺寸/Dimensions

间距/Pitch:	12.7mm
极数/Poles:	2-12P

慈溪万海电子有限公司 CIXI WANHAI ELECTRONICS CO., LTD.

PART. NAME: JM1270-12.7-XXP				TITLE:	
PART. NO.:				DWG NAME:	
APPROVED BY	CHECKED BY	DESIGNED BY	DRAWN BY	CUSTOM NO.:	Tolerance X ±0.50 X.X ±0.30 X.XX ±0.10 XX° ±1°
				UNITS:mm SCALE:3.125/1 REVISIONB2	