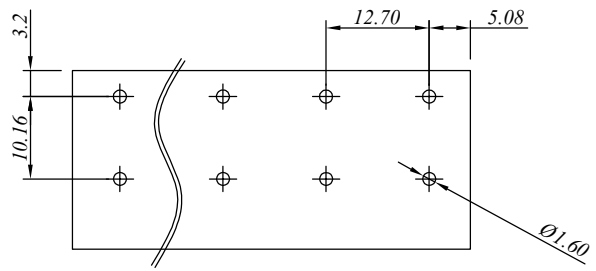
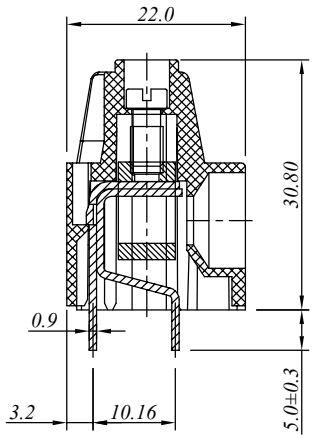
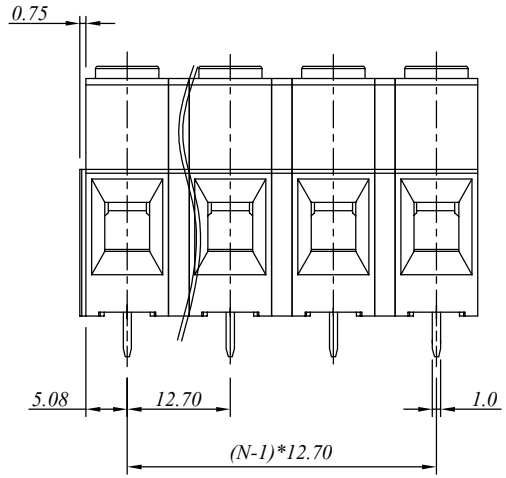
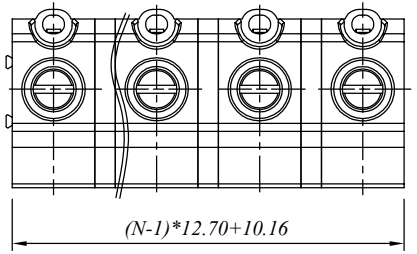


1 2 3 4 5 6 7

△			
△			
△			

P.C.B. LAYOUT



N=Number of contacts

材质于电镀/Material

塑件/Insulator body: PA66, UL94V-0
 方块/Contact(metal housing): Brass ,Ni plated
 螺丝/Terminal screw: M4.0, Steel Zn plated
 焊脚/Pin header: Brass, Tin plated

电器性能/Electrical

参考标准/Standard: UL IEC
 额定电压/Rated voltage: 600V 730V
 额定电流/Rated current: 65A 76A
 接触电阻/Contact resistance: 20m Ω (max)
 绝缘电阻/Insulation resistance: 500M Ω /500V
 耐电压/Withstanding voltage: AC 2500V/1Min
 使用线径/Wire range: 6-20AWG, 10mm²

机械性能/Mechanical

扭矩/Torque: 1.2Nm(10.6Lb.in)
 温度范围/Temperature range: -40°C to +105°C
 剥线长度/Steip length: 11-12mm
 瞬间温度/Max soldering: +250°C, for 5 Sec

尺寸/Dimensions

间距/Pitch: 12.7mm
 极数/Poles: 2-24P

慈溪万海电子有限公司 CIXI WANHAI ELECTRONICS CO., LTD.

PART. NAME: JM136HT-12.7-XXP				TITLE:	
PART. NO.:				DWG NAME:	
APPROVED BY	CHECKED BY	DESIGNED BY	DRAWN BY	CUSTOM NO.:	Tolerance X.X ±0.50 X.XX ±0.30 X.XX ±0.10 XX° ±1°
				UNITS: mm	
				SCALE: 3.125/1 REVISION B2	

