

1

2

3

4

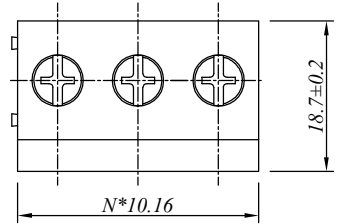
5

6

7

SIGN	DATE	DESCRIPTION	APPROVER
▲			
▲			
▲			

P.C.B. LAYOUT



材质于电镀 / Material

塑件/Insulator body: PA66, UL94V-0
 方块/Contact(metal housing): Brass ,Ni planted
 螺丝/Terminal screw: M4.0, Steel Zn planted
 焊脚/Pin header: Brass, Tin planted

电器性能 / Electrical

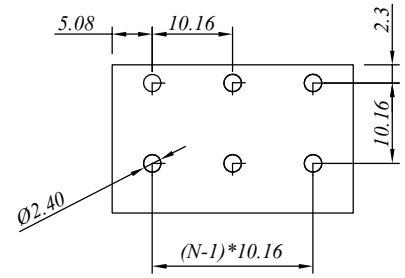
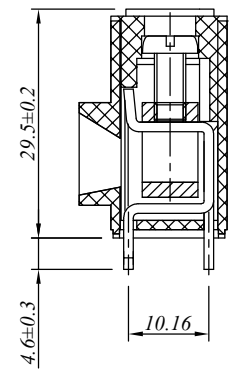
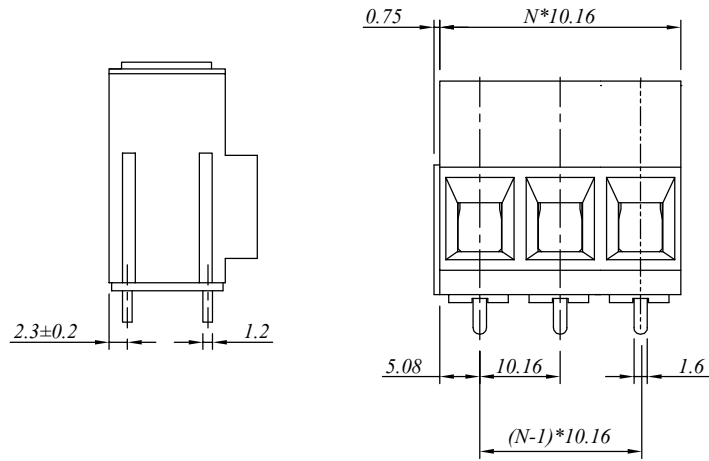
参考标准/Standard: UL IEC
 额定电压/Rated voltage: 300V 750V
 额定电流/Rated current: 52A 57A
 接触电阻/Contact resistance: 20m Ω (max)
 绝缘电阻/Insulation resistance: 500M Ω /500V
 耐电压/Withstanding voltage: AC 2000V/1Min
 使用线径/Wire range: 6-22AWG, 10.0mm²

机械性能 / Mechanical

扭矩/Torque: 1.2Nm(10.5Lb.in)
 温度范围/Temperature range: -40°C to +105°C
 剥线长度/Steip length: 10-11mm
 瞬间温度/Max soldering: +250°C, for 5 Sec

尺寸 / Dimensions

间距/Pitch: 10.16mm
 极数/Poles: 2-24P



N=Number of contacts

慈溪万海电子有限公司 CIXI WANHAI ELECTRONICS CO., LTD.

PART. NAME: JM135T-10.16-XXP				TITLE:	
PART. NO.:				DWG NAME:	
APPROVED BY	CHECKED BY	DESIGNED BY	DRAWN BY	CUSTOM NO.:	Tolerance X ±0.50 X.X ±0.30 X.XX ±0.10 X° ±1°
				UNITS:mm	
				SCALE: 2.5/1 REVISION:3	