

1

2

3

4

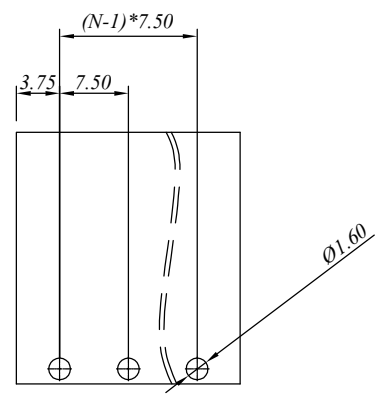
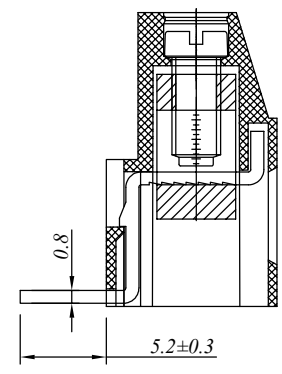
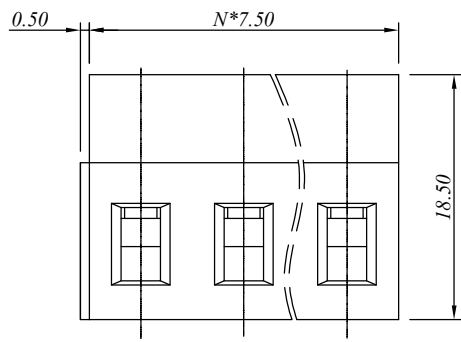
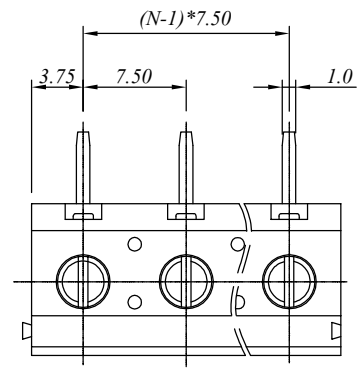
5

6

7

SIGN	DATE	DESCRIPTION	APPROVER
△			
△			
△			

### P.C.B LAYOUT



N=Number of contacts

#### 材质于电镀/Material

塑件/Insulator body:	PA66, UL94V-0
方块/Contact(metal housing):	Brass ,Ni planted
螺丝/Terminal screw:	M3.0, Steel Zn planted
焊脚/Pin header:	Brass, Tin planted

#### 电器性能/Electrical

参考标准/Standard:	UL	IEC
额定电压/Rated voltage:	300V	250V
额定电流/Rated current:	16A	24A
接触电阻/Contact resistance:	20m Ω (max)	
绝缘电阻/Insulation resistance:	500M Ω /500V	
耐电压/Withstanding voltage:	AC 2000V/1Min	
使用线径/Wire range:	12-26AWG, 2.5mm <sup>2</sup>	

#### 机械性能/Mechanical

扭矩/Torque:	0.5Nm(4.5Lb.in)
温度范围/Temperature range:	-40°C to +105°C
剥线长度/Steip length:	6-7mm
瞬间温度/Max soldering:	+250°C, for 5 Sec

#### 尺寸/Dimensions

间距/Pitch:	7.5mm
极数/Poles:	2-24P

## 慈溪万海电子有限公司

### CIXI WANHAI ELECTRONICS CO., LTD.

PART NAME: JM129R-7.5-XXP				TITLE:	
PART. NO.:				DWG NAME:	
APPROVED BY	CHECKED BY	DESIGNED BY	DRAWN BY	CUSTOM NO.:	Tolerance X ±0.50 X.X ±0.30 X.XX ±0.10 X° ±1°
				UNITS:mm	
				SCALE: 3/1	
				REVISION:2	

1

2

3

4

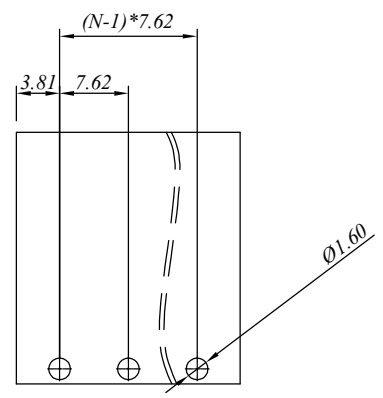
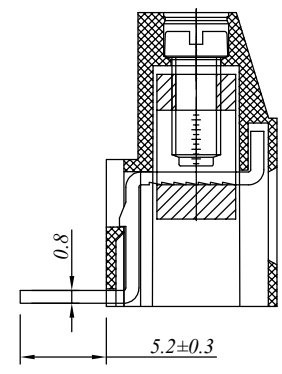
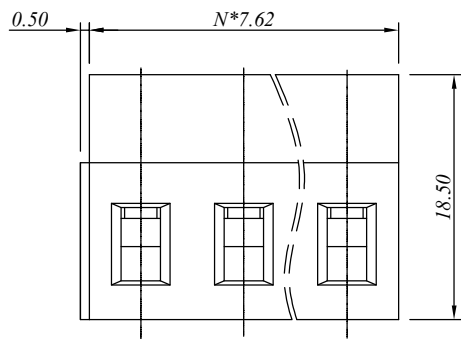
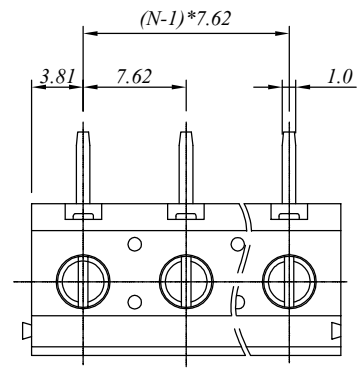
5

6

7

SIGN	DATE	DESCRIPTION	APPROVER
△			
△			
△			

### P.C.B LAYOUT



N=Number of contacts

#### 材质于电镀/Material

- 塑件/Insulator body: PA66, UL94V-0
- 方块/Contact(metal housing): Brass ,Ni planted
- 螺丝/Terminal screw: M3.0, Steel Zn planted
- 焊脚/Pin header: Brass, Tin planted

#### 电器性能/Electrical

- 参考标准/Standard: UL IEC
- 额定电压/Rated voltage: 300V 250V
- 额定电流/Rated current: 16A 24A
- 接触电阻/Contact resistance: 20m Ω (max)
- 绝缘电阻/Insulation resistance: 500M Ω /500V
- 耐电压/Withstanding voltage: AC 2000V/1Min
- 使用线径/Wire range: 12-26AWG, 2.5mm<sup>2</sup>

#### 机械性能/Mechanical

- 扭矩/Torque: 0.5Nm(4.5Lb.in)
- 温度范围/Temperature range: -40°C to +105°C
- 剥线长度/Steip length: 6-7mm
- 瞬间温度/Max soldering: +250°C, for 5 Sec

#### 尺寸/Dimensions

- 间距/Pitch: 7.62mm
- 极数/Poles: 2-24P

## 慈溪万海电子有限公司 CIXI WANHAI ELECTRONICS CO., LTD.

PART NAME: JM129R-7.62-XXP				TITLE:	
PART. NO.:				DWG NAME:	
APPROVED BY	CHECKED BY	DESIGNED BY	DRAWN BY	CUSTOM NO.:	Tolerance X ±0.50 X.X ±0.30 X.XX ±0.10 X° ±1°
				UNITS:mm	
				SCALE: 3/1	
				REVISIONB2	