

1

2

3

4

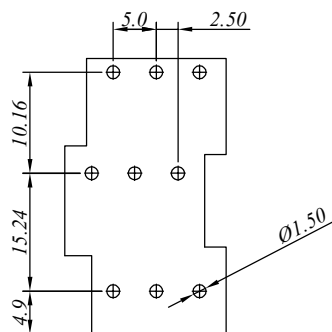
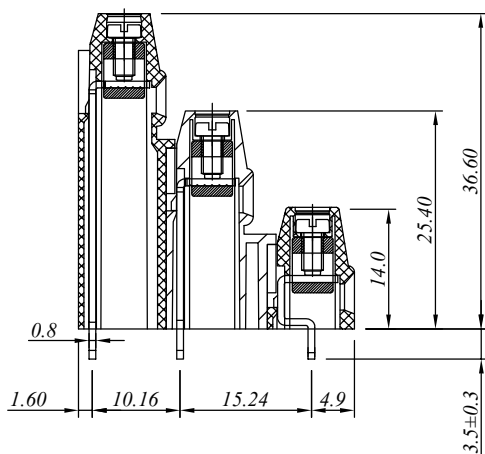
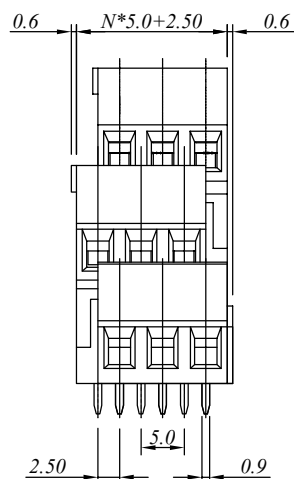
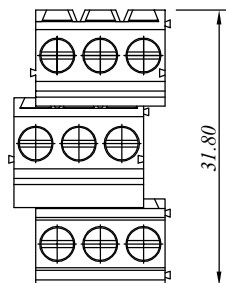
5

6

7

SIGN	DATE	DESCRIPTION	APPROVER
△	9.22	Standard spec is changed.	
△			
△			

P.C.B LAYOUT



$N = \text{Number of contacts}$

材质于电镀/ Material

塑件/Insulator body:
方块/Contact(metal housing):
螺丝/Terminal screw:
焊脚/Pin header:

PA66, UL94V-0
Brass ,Ni plated
M2.5, Steel Zn plated
Brass, Tin planted

电器性能/ Electrical

参考标准/Standard: UL IEC
额定电压/Rated voltage: 300V 250V
额定电流/Rated current: 15A 18A
接触电阻/Contact resistance: 20m Ω (max)
绝缘电阻/Insulation resistance: 500M Ω /500V
耐电压/Withstanding voltage: AC 2000V/1Min
使用线径/Wire range: 14-30AWG, 1.5mm²

机械性能/ Mechanical

扭矩/Torque: 0.4Nm(3.54Lb.in)
温度范围/Temperature range: -40°C to +105°C
剥线长度/Steip length: 6-7mm
瞬间温度/Max soldering: +250°C, for 5 Sec

尺寸/Dimensions

间距/Pitch: 5.0mm
极数/Poles: 2-24P

慈溪万海电子有限公司
CIXI WANHAI ELECTRONICS CO., LTD.

PART. NAME: JM500A3-5.0-XXP

TITLE:

PART. NO.:

DWG NAME:

APPROVED BY

CHECKED BY

DESIGNED BY

DRAWN BY

CUSTOM NO.:

Tolerance

x. ±0.50

x.x ±0.30

x.xx ±0.10

xx° ±J°



UNITS: mm

SCALE: 2/1

REVISION: B2

1

2

3

4

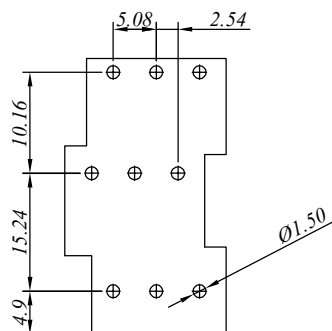
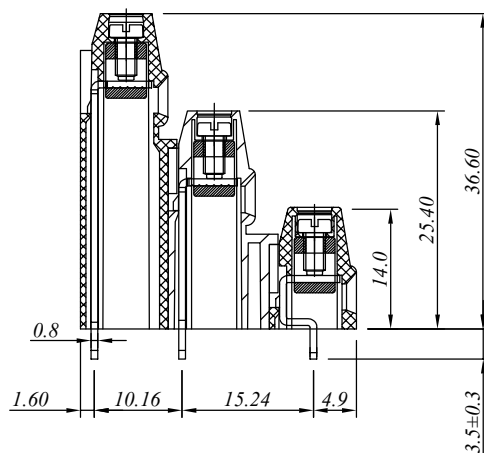
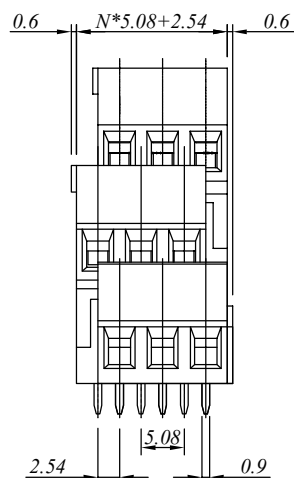
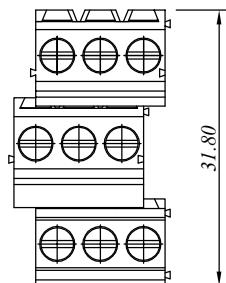
5

6

7

SIGN	DATE	DESCRIPTION	APPROVER
△	9.22	Standard spec is changed.	
△			
△			

P.C.B LAYOUT



$N = \text{Number of contacts}$

材质于电镀 / Material

塑件/Insulator body:
方块/Contact(metal housing):
螺丝/Terminal screw:
焊脚/Pin header:

PA66, UL94V-0
Brass ,Ni plated
M2.5, Steel Zn plated
Brass, Tin plated

电器性能 / Electrical

参考标准/Standard: UL IEC
额定电压/Rated voltage: 300V 250V
额定电流/Rated current: 15A 18A
接触电阻/Contact resistance: 20m Ω (max)
绝缘电阻/Insulation resistance: 500M Ω /500V
耐电压/Withstanding voltage: AC 2000V/1Min
使用线径/Wire range: 14-30AWG, 1.5mm²

机械性能 / Mechanical

扭矩/Torque: 0.4Nm(3.54Lb.in)
温度范围/Temperature range: -40°C to +105°C
剥线长度/Steip length: 6-7mm
瞬间温度/Max soldering: +250°C, for 5 Sec

尺寸 / Dimensions

间距/Pitch: 5.08mm
极数/Poles: 2-24P

慈溪万海电子有限公司
CIXI WANHAI ELECTRONICS CO., LTD.

PART. NAME: JM500A3-5.08-XXP

TITLE:

PART. NO.:

DWG NAME:

APPROVED BY

CHECKED BY

DESIGNED BY

DRAWN BY

CUSTOM NO.:

Tolerance

x. ±0.50

x.x ±0.30

x.xx ±0.10

xx° ±J°



UNITS: mm

SCALE: 2/1

REVISION: B2