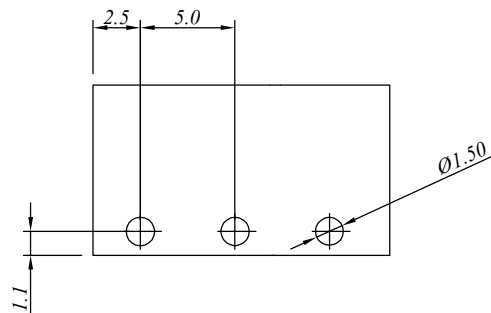
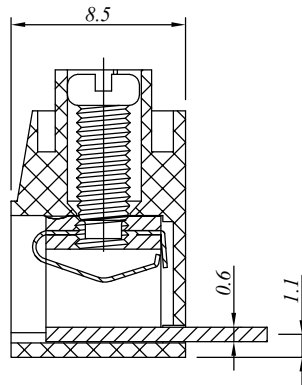
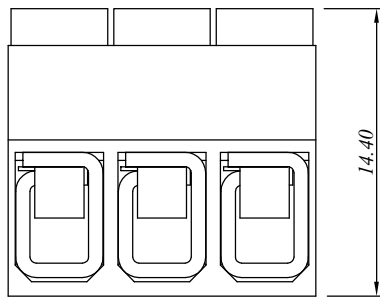
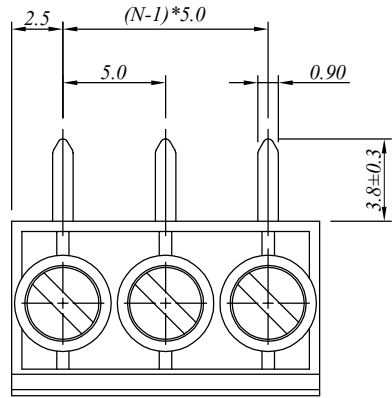


1 2 3 4 5 6 7

SIGN	DATE	DESCRIPTION	APPROVER
▲			
▲			
▲			

# P.C.B. LAYOUT



N=Number of contacts

## 材质于电镀 / Material

塑件/Insulator body: PA66, UL94V-0  
 方针/Contact(metal housing): Brass ,Tin plated  
 螺丝/Terminal screw: M2.5, Steel Zn plated  
 弹片/Wire guard: Stainless steel

## 电器性能 / Electrical

参考标准/Standard: UL IEC  
 额定电压/Rated voltage: 300V 250V  
 额定电流/Rated current: 15A 22A  
 接触电阻/Contact resistance: 20m Ω (max)  
 绝缘电阻/Insulation resistance: 500M Ω /500V  
 耐电压/Withstanding voltage: AC 2000V/1Min  
 使用线径/Wire range: 12-22AWG, 2.5mm<sup>2</sup>

## 机械性能 / Mechanical

扭矩/Torque: 0.4Nm(3.6Lb.in)  
 温度范围/Temperature range: -40°C to +120°C  
 剥线长度/Steip length: 6-7mm  
 瞬间温度/Max soldering: +250°C, for 5 Sec

## 尺寸 / Dimensions

间距/Pitch: 5.0mm  
 极数/Poles: 2-24P

慈溪万海电子有限公司  
**CIXI WANHAI ELECTRONICS CO., LTD.**

PART NAME: JM167R-5.00-XXP				TITLE:	
PART NO.:				DWG NAME:	
APPROVED BY	CHECKED BY	DESIGNED BY	DRAWN BY	CUSTOM NO.:	Tolerance X ±0.50 X.X ±0.30 X.XX ±0.10 X° ±1°
				UNITS:mm	
				SCALE:#/1	
				REVISION#1	