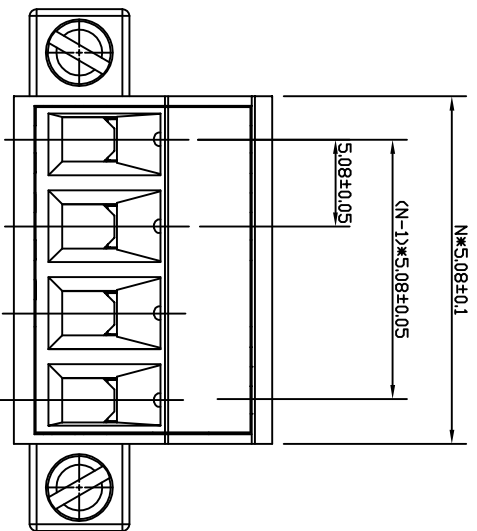
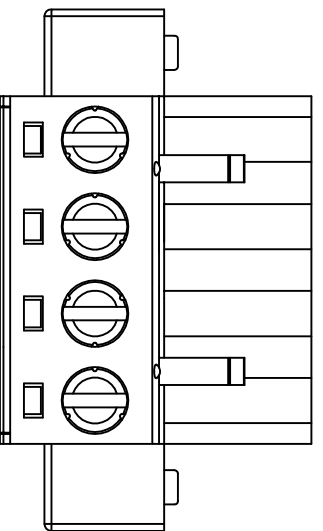
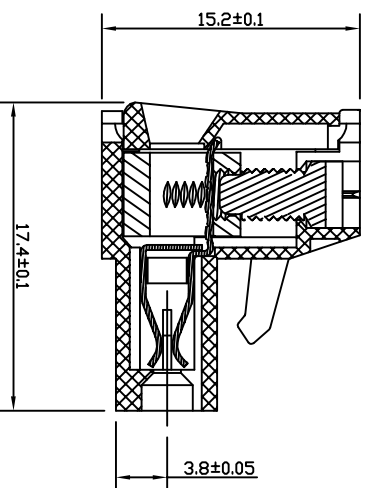


SIGN	DATE	DESCRIPTION	APPROVER
△			
△			
△			



N=Number of contacts



- Technical Data:
- Material:
- Contact metal housing: Brass Machined(Option)
 - Terminal screw: Steel Galvanized and Chromated or Nickel plated or Tin plated(standard)(option)
 - Wire guard: PbZ, Tin plated.
 - Insulator body(housing): Polyamide(Glass filled)(UL94V-0)
- Electrical
- Voltage rating: 2500VAC
 - Current rating: 15 Amps/way max
 - Contact resistance: 20mΩ (max)
 - Insulation resistance: 5000MΩ/1000V
 - Withstanding Voltage: 2000VAC(1min) Test time=60sec/1pcs
 - Wire range: 12-24AWG
- Mechanical:
- Torque: 4kgf.cm/M2.5
 - Operating temperature: -33°C to +120°C
- Safety approval data:
- PLATED
- Contact metal housing: Cu40u"/+Ni60u"
 - Terminal screw: Nickel plated or Tin plated and standard (option)
 - Wire guard: Cu40u"/+Ni60u"/+Sn200u"

慈溪万海电子有限公司
CIXI WANHAI ELECTRONICS CO., LTD.

PART. NAME: 2EDGKM-5.08

PART. NO.:

DWG NAME:

APPROVED BY

CHECKED BY

DESIGNED BY

DRAWN BY

CUSTOM NO.:

Tolerance

UNITS:mm

SCALE:3/1

REVISION: B3

XX° ±1°

XX° ±0.50

XX° ±0.30

XX° ±0.10